

RTH ATTACHMENTS



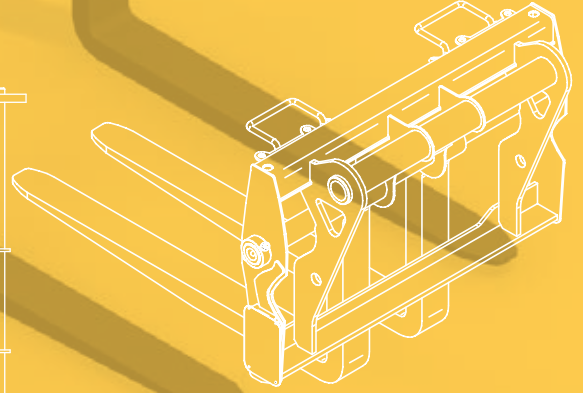
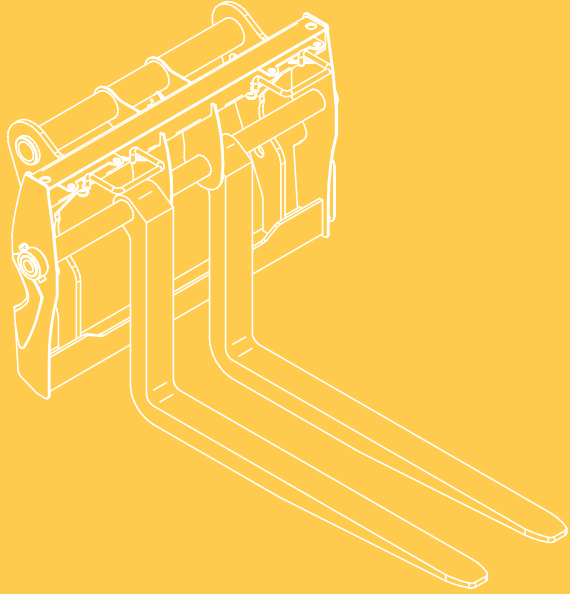
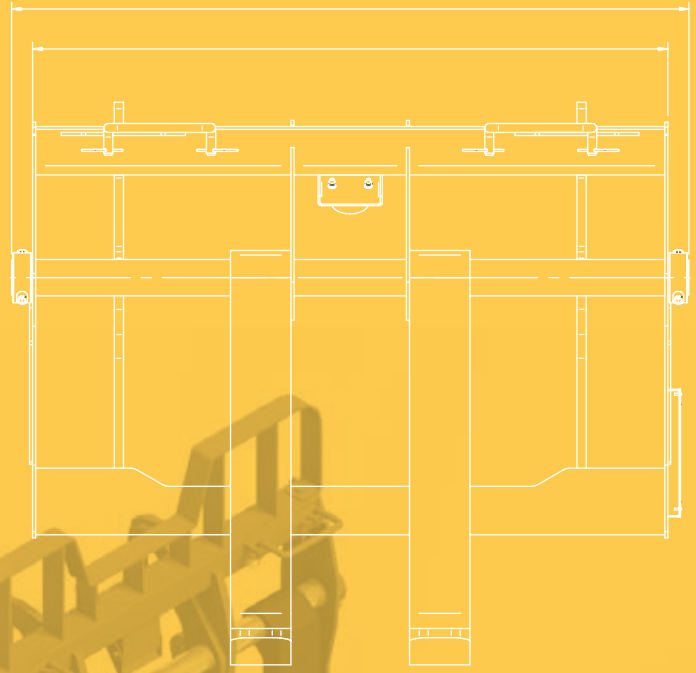
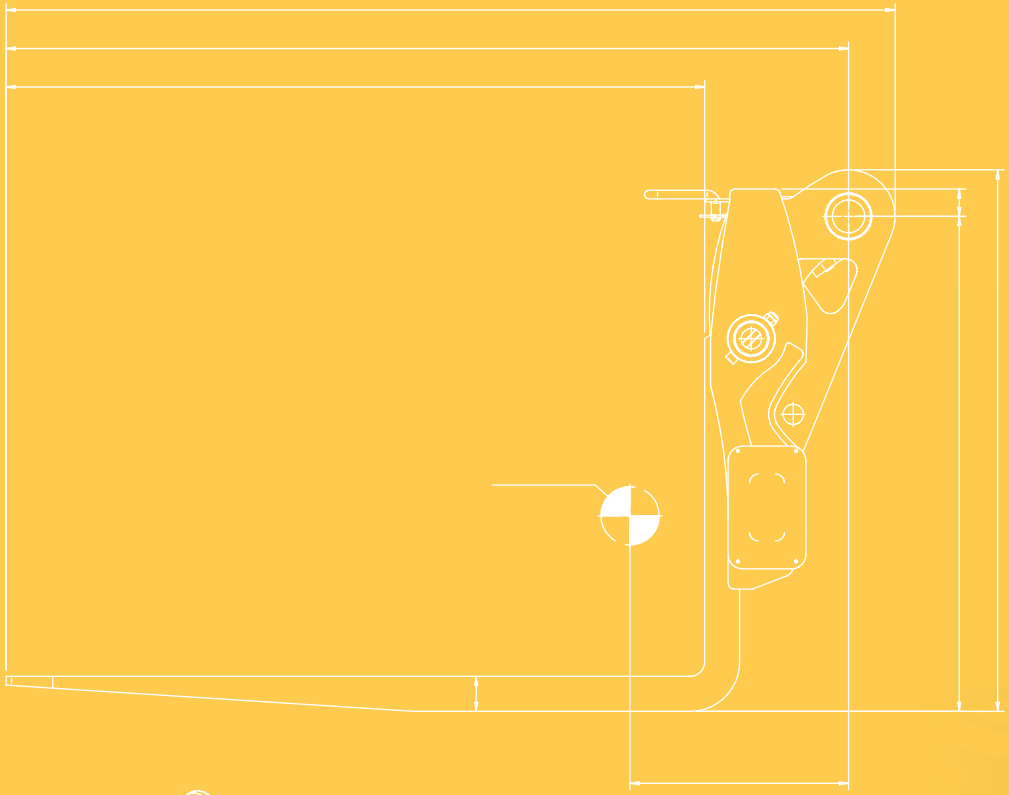
The tradition of the attachment

The tradition of the attachment is deeply rooted in Magni Telescopic Handlers, where we know that it is the attachment that gives our machines a function, transforming them into a crane, a men platform, a forklift trucks or any other function that the customer requires.

QUALITY: Magni Telescopic Handlers applies on attachments the same quality standards that it applies in the production of its machines. In fact, we use only internationally renowned brands like Danfoss, Bosh Rexroth and Reggiana Riduttori and the most stringent checks used in the machines production line are also applied here.

VERSATILITY: At Magni Telescopic Handler we have created a production plant entirely dedicated to attachments which makes possible for us to be extremely reactive in analyzing and proposing customized solutions required by our customers. For us "special" is the "standard".

PROFESSIONALISM: The experience acquired in over twenty years in both sector, machines and attachments, has enabled us to design and built a range of extremely modern attachments with technical solutions that we have protected by international patents.



FORKS

FORK CARRIAGE WITH EYEBOLT

FC5T - FC6T



	FC5T	FC6T
	5.000 Kg	6.000 Kg
	1.200 mm	1.200 mm
	586 mm (min) - 1.040 mm (max)	580 mm (min) - 1.040 mm (max)
	X	X
	✓	✓

FEM FORK CARRIAGE

FCF5T - FCF6T - FCPF5T



	FCF 5T	FCF 6T	FCPF 5T
	5.000 Kg	6.000 Kg	5.000 Kg
	1.200 mm	1.200 mm	1.200 mm
	275 mm (min) 1.040 mm (max)	580 mm (min) 1.040 mm (max)	415 mm (min) 1.490 mm (max)
	X	X	X
	X	X	✓
	✓	✓	✓

FOLDED FORKS FOR ROAD CIRCULATION








ROMASTOR ROTATING FORKS 2.5T

ROMASTOR 2,5 T



GREAT
VERSATILITY
THANKS TO
ROTATION

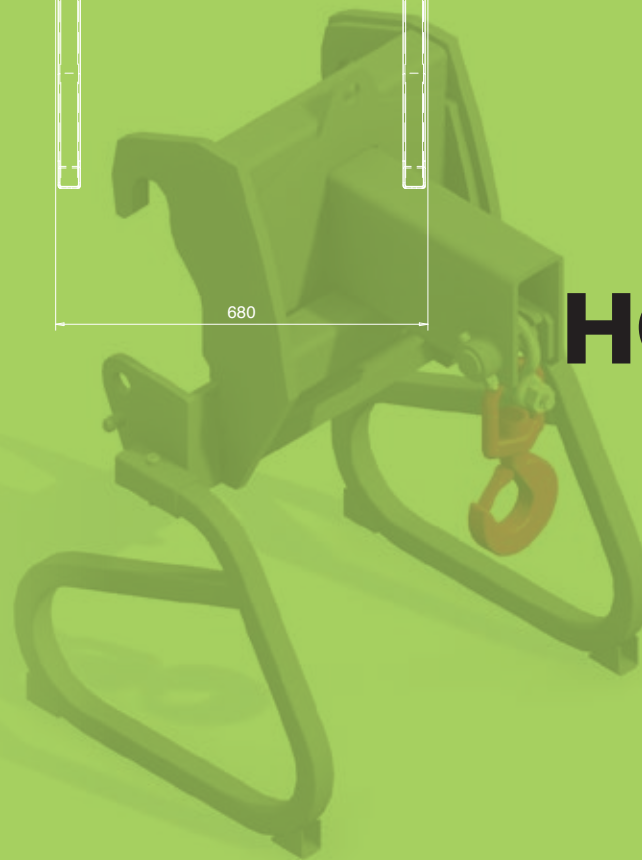
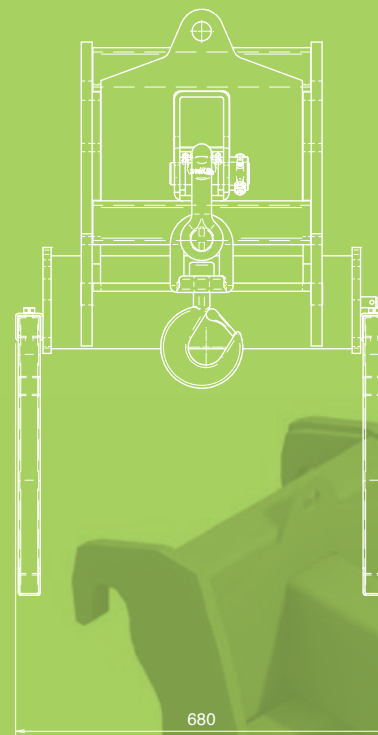
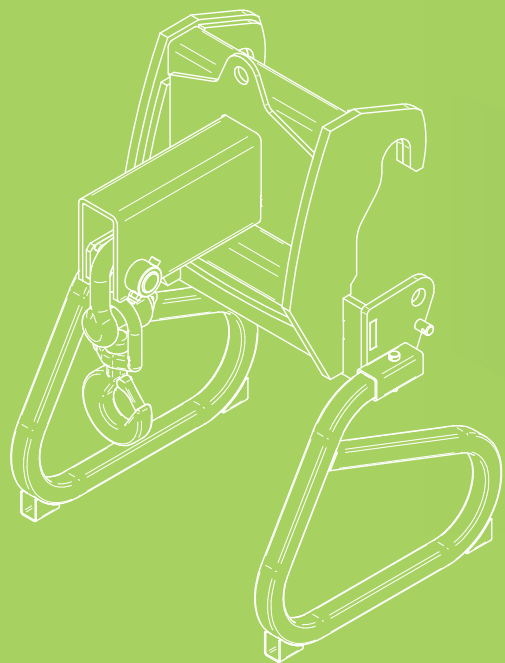
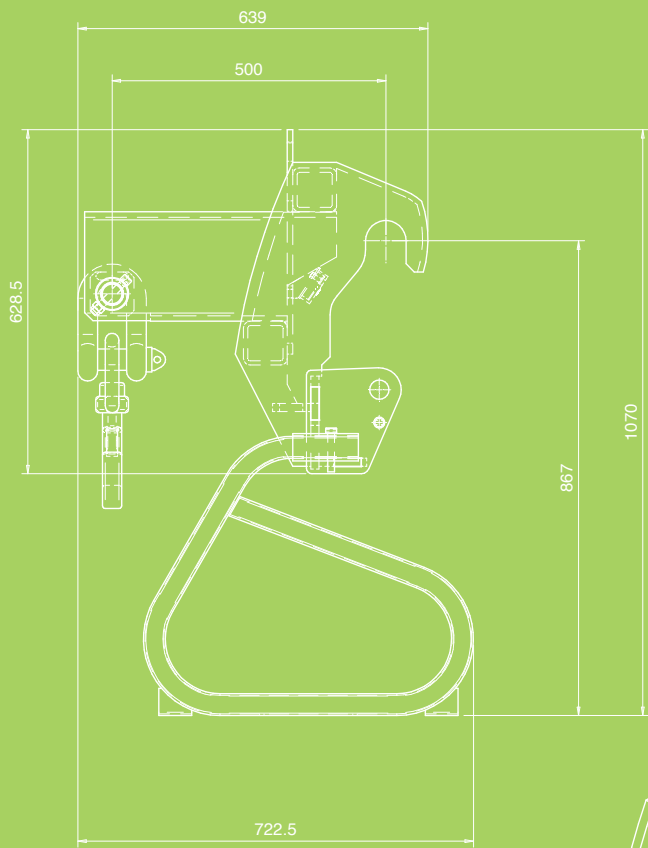
	FC5T
 KG	2.500 Kg
	1.200 mm
	1.120 mm
	+/- 90°
 R.F.I.D.	✓

EQUIPPED WITH ROTATION
BLOCKING BAR +/- 90°



DOVETAILS TO POSITION FORKS





HOOKS

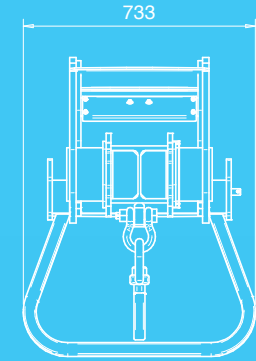
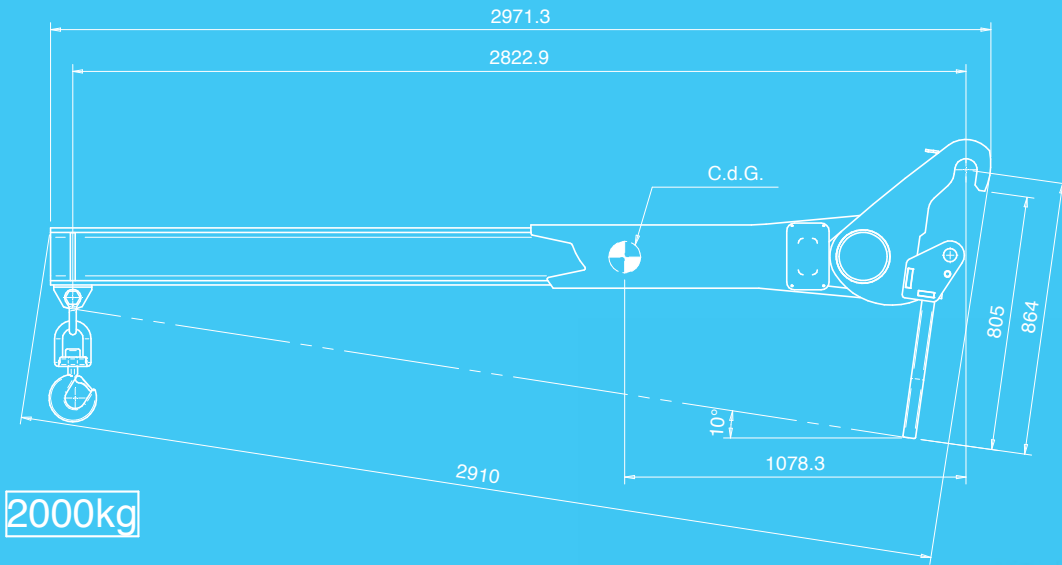
H5 - H6



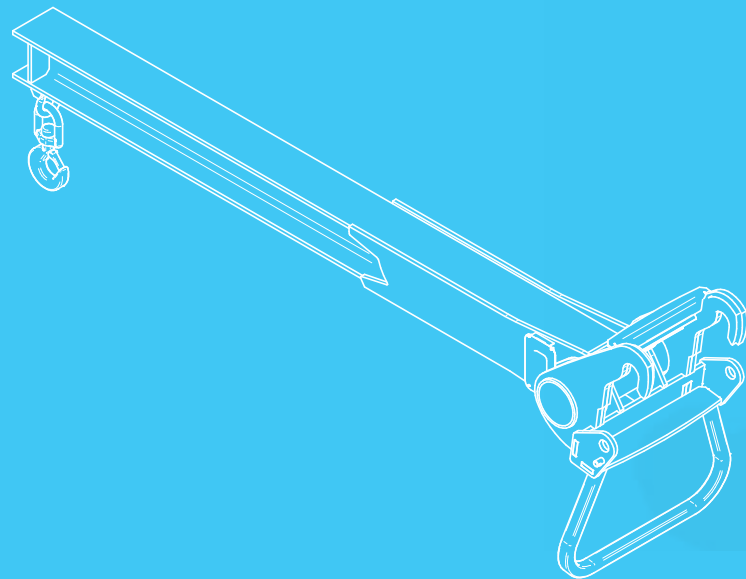
	H5	H6
	5.000 kg	6.000 kg
	500 mm	500 mm
	✓	✓

HOMOLOGATED HOOK





2000kg



JIBS

J600

IMPROVES FORWARD REACH OF TELEHANDLER



	J600
	600 Kg
	3.950 mm
	✓



J2000 - J3000

IMPROVES FORWARD REACH OF TELEHANDLER



	J2000	J3000
	2.000 Kg	3.000 Kg
	2.820 mm	1.380 mm
	✓	✓







TELESCOPIC JIB

JT2500

EXTENSIBLE
TO IMPROVE
FLEXIBILITY
OF USE

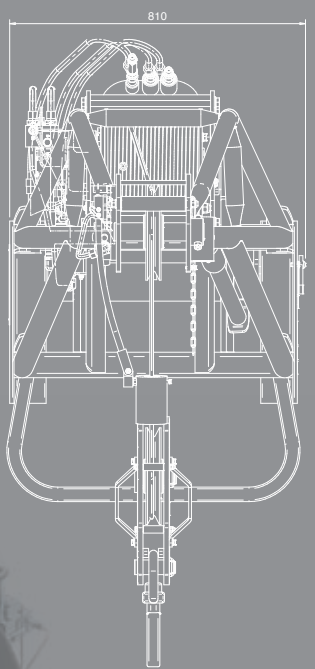
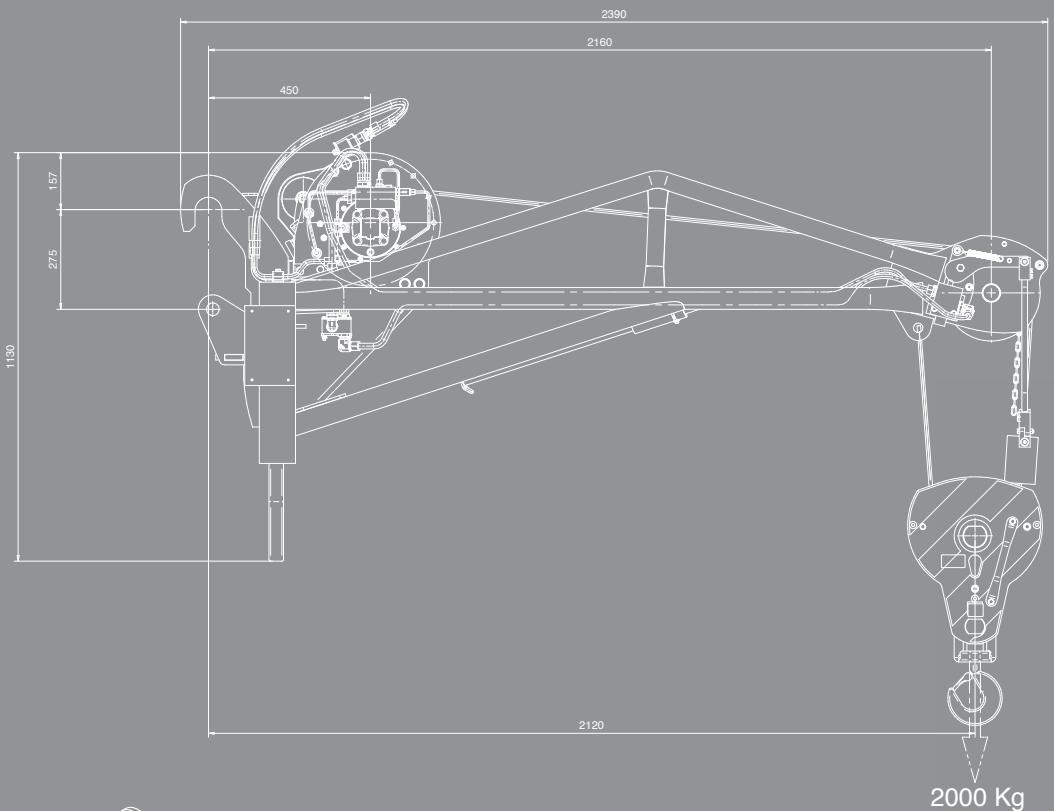


JT2500

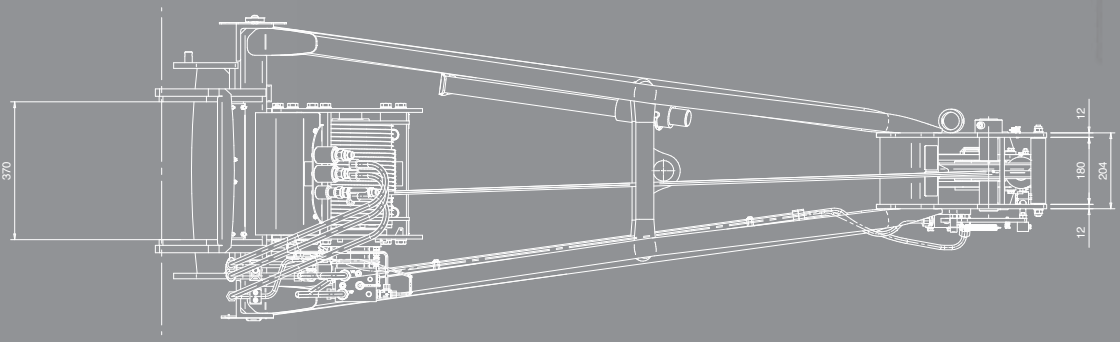
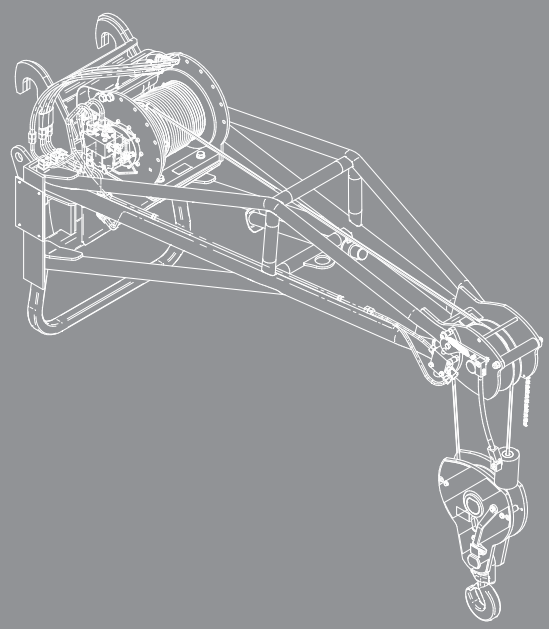
 KG	2500 kg (retracted) - 1500 kg (extended)
	1790 mm (retracted) - 2690 mm (extended)
	900 mm
	✓

HOMOLOGATED HOOK





JIB WINCHES




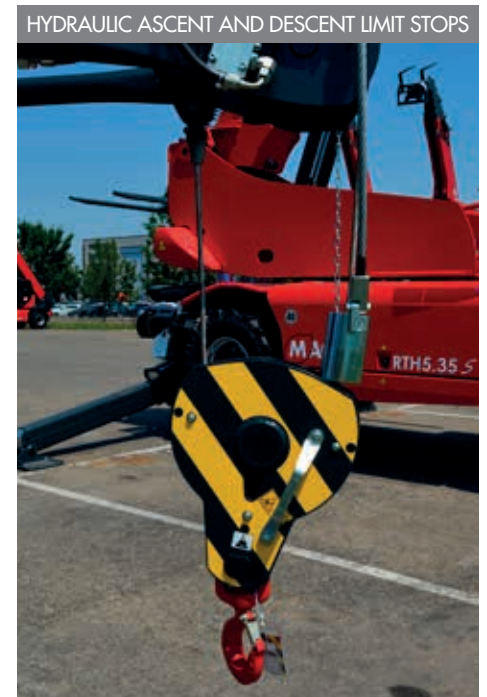
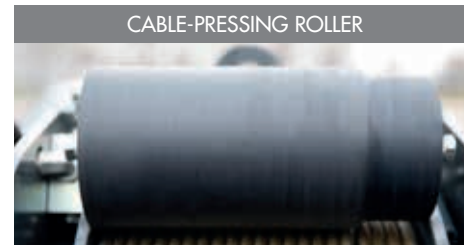
JIB WINCH

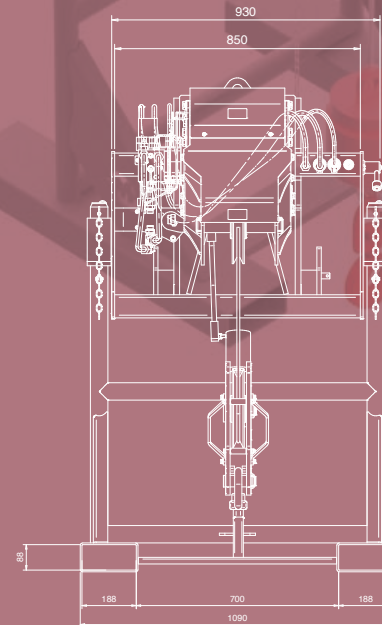
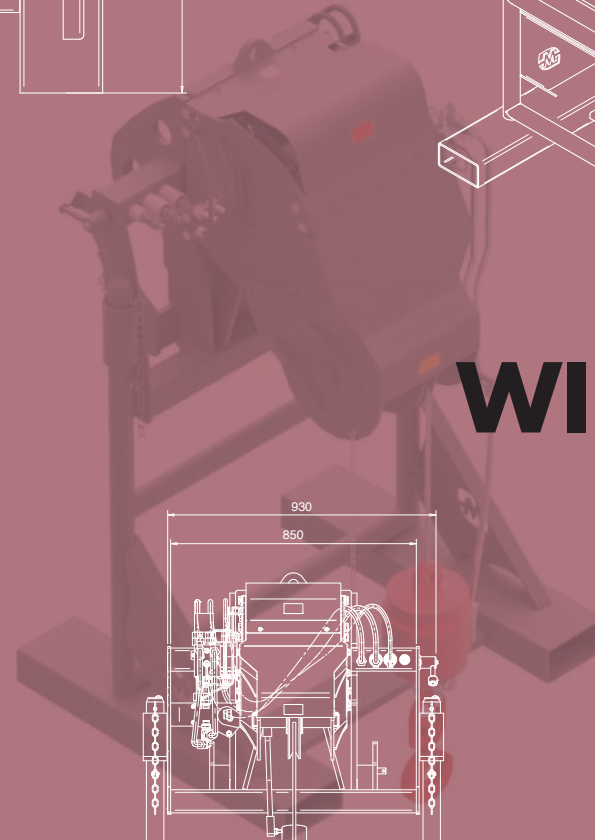
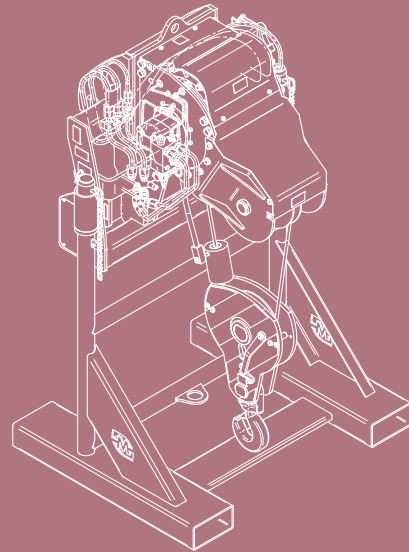
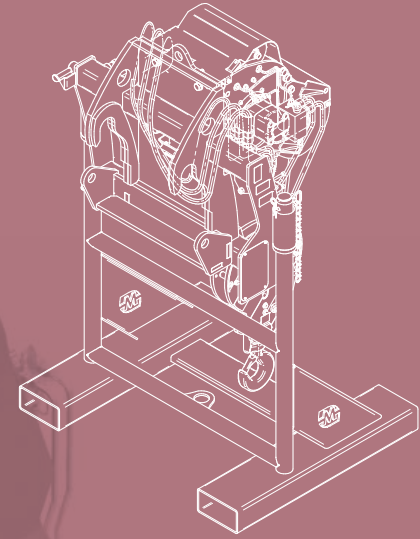
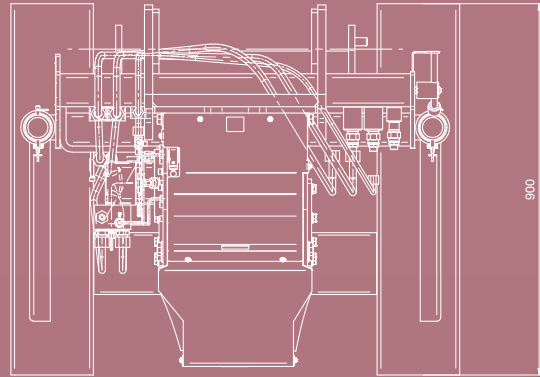
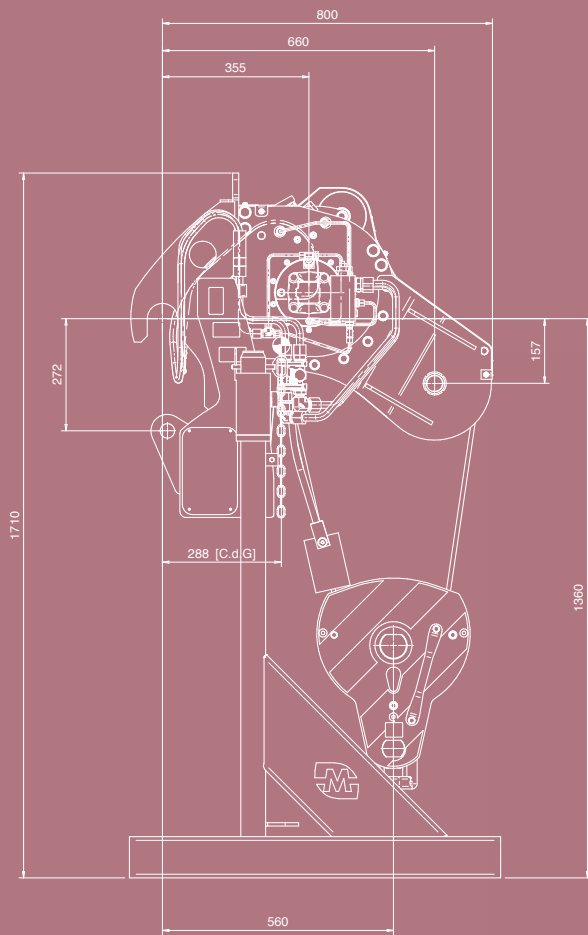
JW

**TURNS
 YOUR TELEHANDLER
 INTO CRANE
 INCREASES THE
 FORWARD REACH
 OF TELEHANDLER**



	JW 800	JW 1500	JW 2000	JW 3000
 KG	800 Kg	1.500 Kg	2.000 Kg	3.000 Kg
	7.180 mm	2.270 mm	2.160 mm	1.700 mm
	10 mm	10 mm	10 mm	10 mm
	40 m	40 m	48 m	58 m
	52 m/min	52 m/min	26 m/min	26 m/min
	✓	✓	✓	✓





WINCHES

WINCHES

W3 - W3,5 - W5 - W6



	W3	W3,5	W5	W6
 KG	3.000 Kg	3.500 Kg	5.000 Kg	6.000 Kg
	12 mm	10 mm	12 mm	12 mm
	58 m	54 m	58 m	58 m
	34 m/min	26 m/min	17 m/min	17 m/min
	✓	✓	✓	✓

HOMOLOGATED HOOK



HYDRAULIC ASCENT AND DESCENT LIMIT STOPS

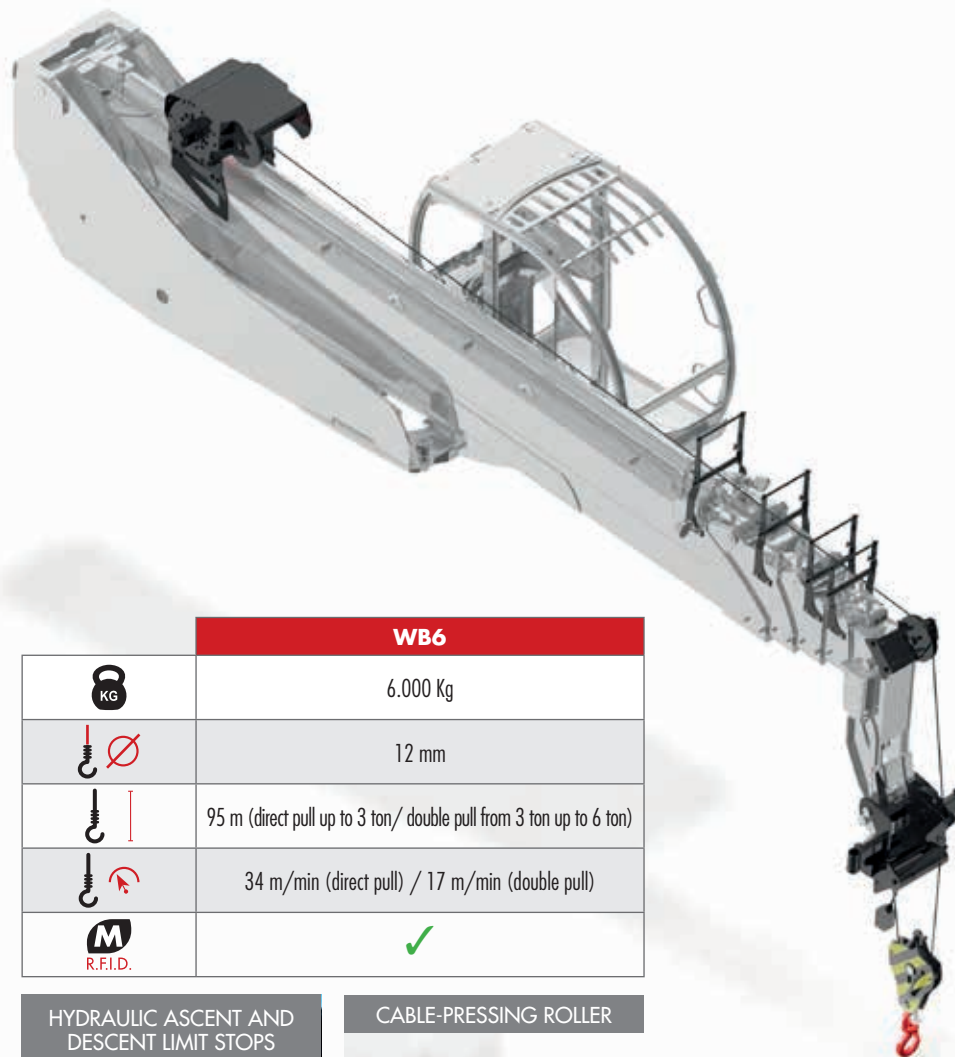







CABLE-PRESSING ROLLER



WINCH ON LOWER END OF BOOM

WB6



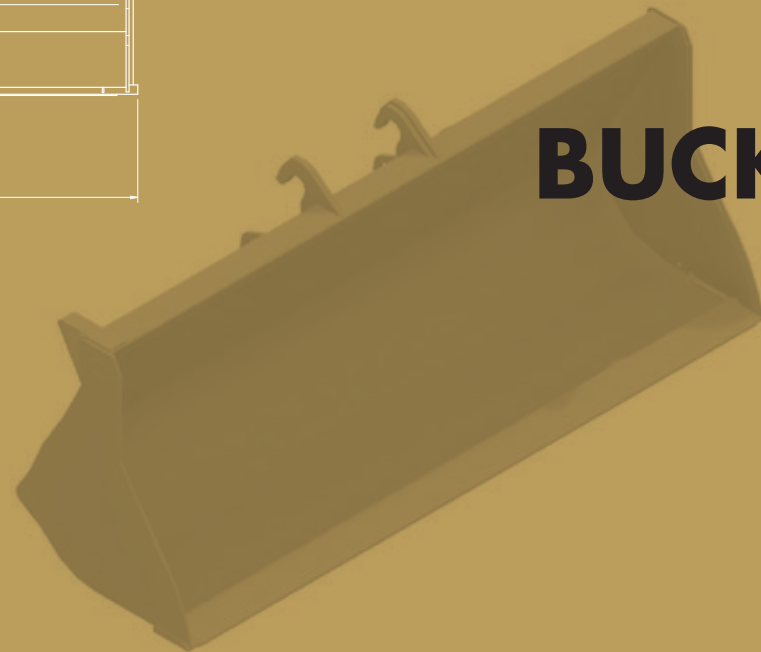
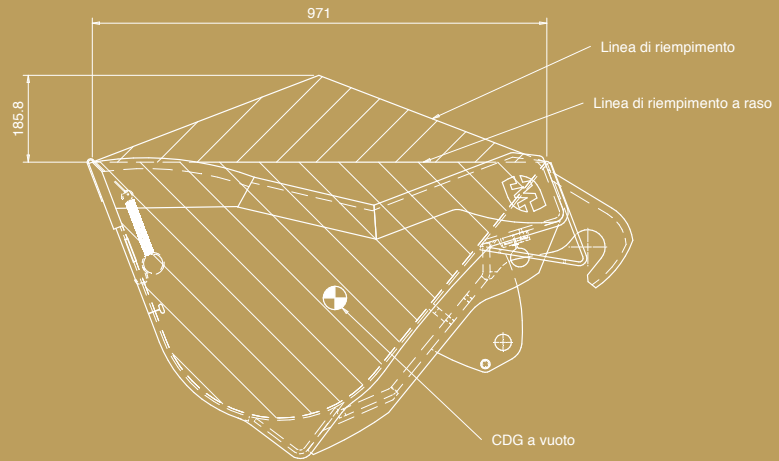
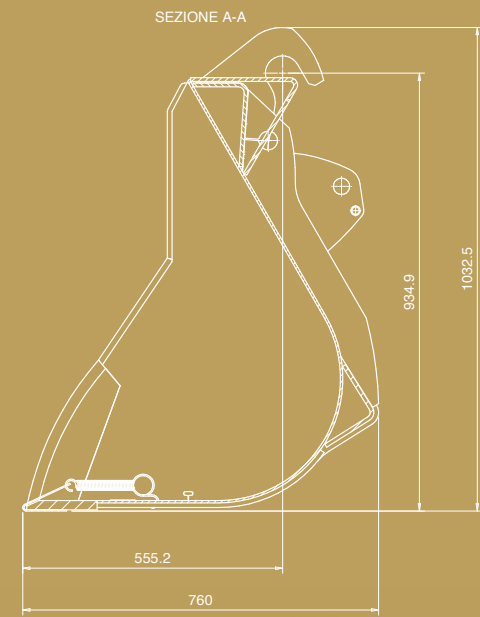
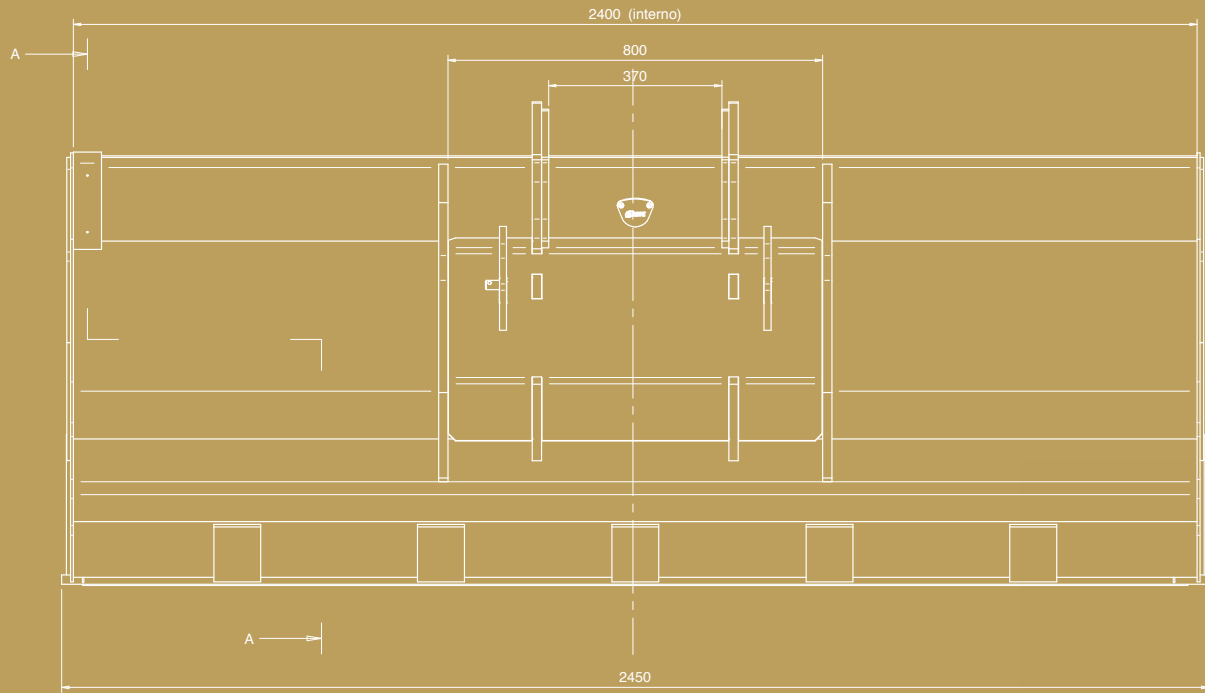
	WB6
 KG	6.000 Kg
	12 mm
	95 m (direct pull up to 3 ton/ double pull from 3 ton up to 6 ton)
	34 m/min (direct pull) / 17 m/min (double pull)
	✓

HYDRAULIC ASCENT AND DESCENT LIMIT STOPS



CABLE-PRESSING ROLLER





BUCKETS

CONSTRUCTION BUCKET

CB1000 - 1200 - 1500 - 2500



**STRONG
STRUCTURE**

	CB 1000*	CB 1200	CB 1500	CB 2500
	1.021 l	1.270 l	1.494 l	2.530 l
	806 l	1.010 l	1.191 l	2.010 l
	2.450 mm	1.500 mm	2.450 mm	2.450 mm
	✓	✓	✓	✓

* OPTIONAL BLADE PROTECTION FOR GREATER LONGEVITY.
Perfect for handling sand, gravel, cereals, etc.
It can handle materials with a density $\geq 2500\text{kg/m}^3$

BUCKETS

BIM 2000

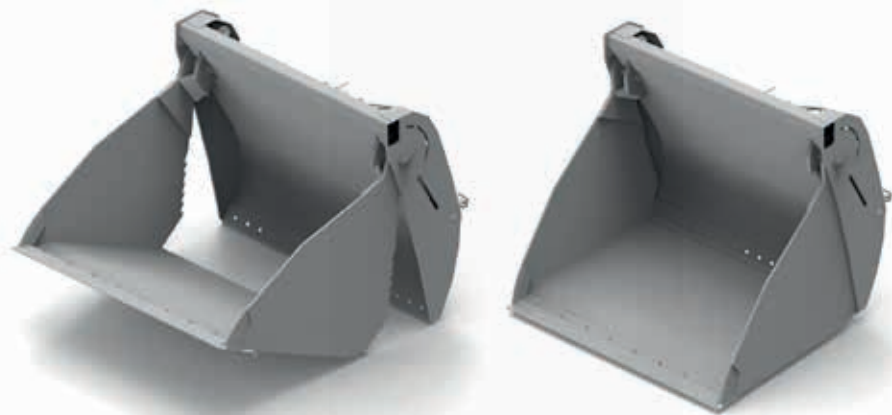


	BIM 2000
	2.050 l
	1.505 l
	2.410 mm
	✓

Very large to facilitate the disposal of construction materials.

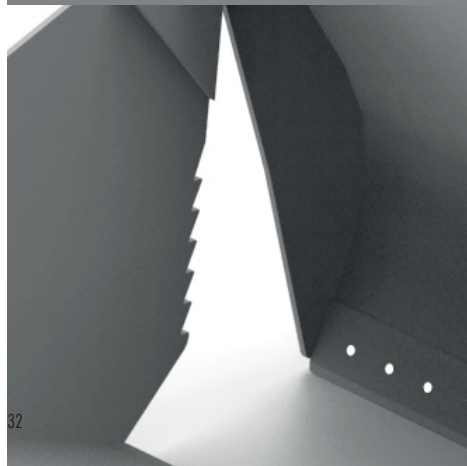
BUCKETS

CB4x1 1700 - 850 - 900

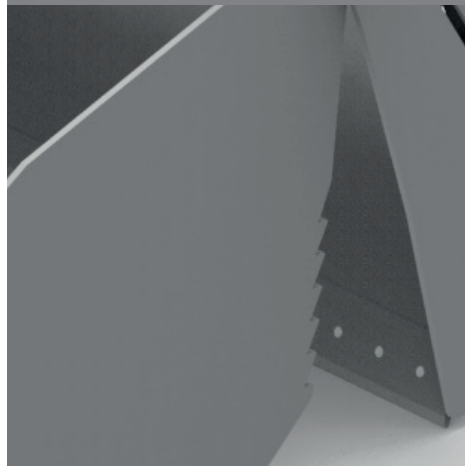


	CB4x1 1700	CB4x1 1850	CB4x1 1900
	700 l	850 l	900 l
	806 l	1.010 l	1.191 l
	✓	✓	✓

SIDES WITH TEETH FOR SAFE HANDLING OF CYLINDRICAL OBJECTS



BACK BLADE FOR GROUND LEVELING



MIXER BUCKET

MIX 500 - MIX 750 - MIX 1000



READY TO USE BUCKET
POWER SUPPLY: 24 VOLTS C.C.
AS AN OPTION IT IS POSSIBLE TO REQUEST AN ELECTRIC CABLE REEL

	MIX 500	MIX 750	MIX 1000
	785 l	1.225 l	1.500 l
	500 l	750 l	1.000 l
	1.840 mm	2.800 mm	2.330 mm
	1.080 mm	1.300 mm	1.300 mm
	1.120 mm	1.250 mm	1.250 mm
	1	2	2
	✓	✓	✓

1 M FLEXIBLE HOSE WITH OPENING BY HYDRAULIC PISTON



REPLACEABLE BLADES IN CASE OF DAMAGE



CONCRETE BUCKET

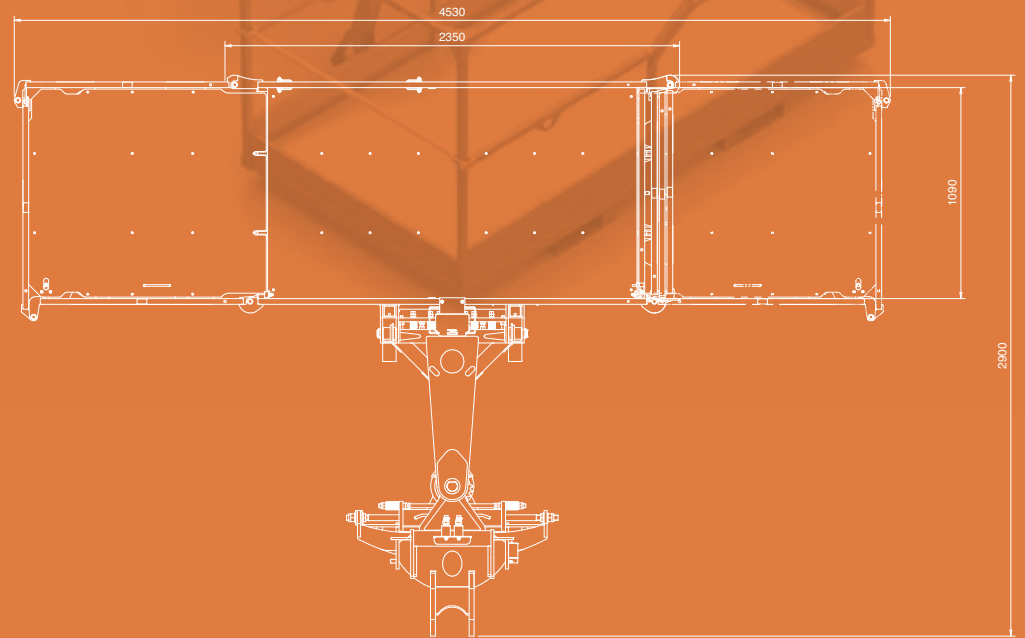
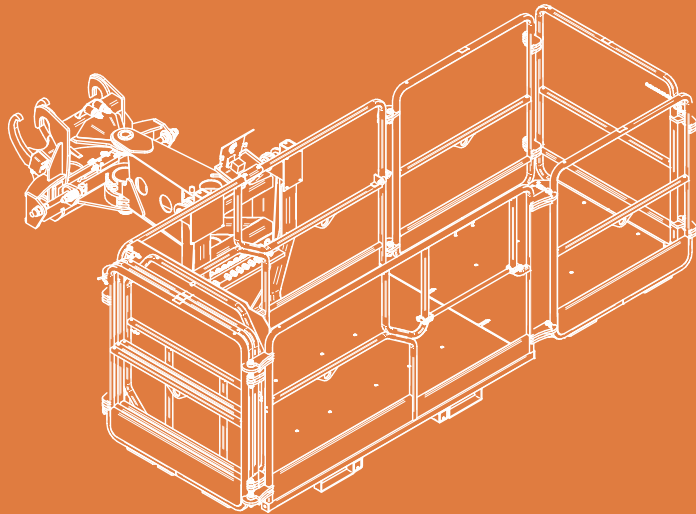
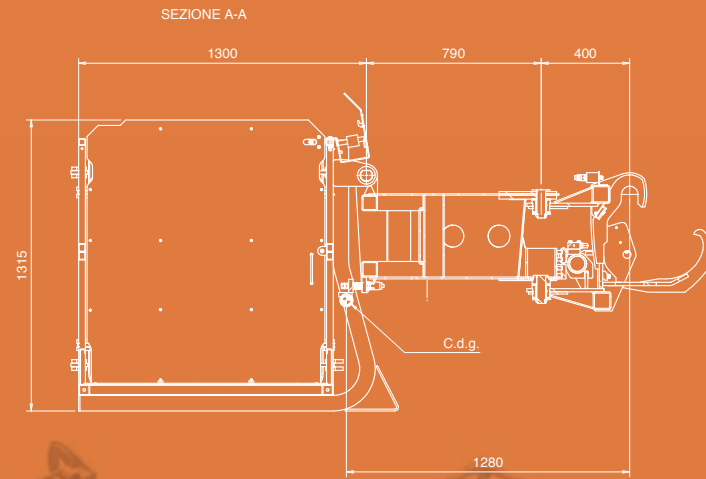
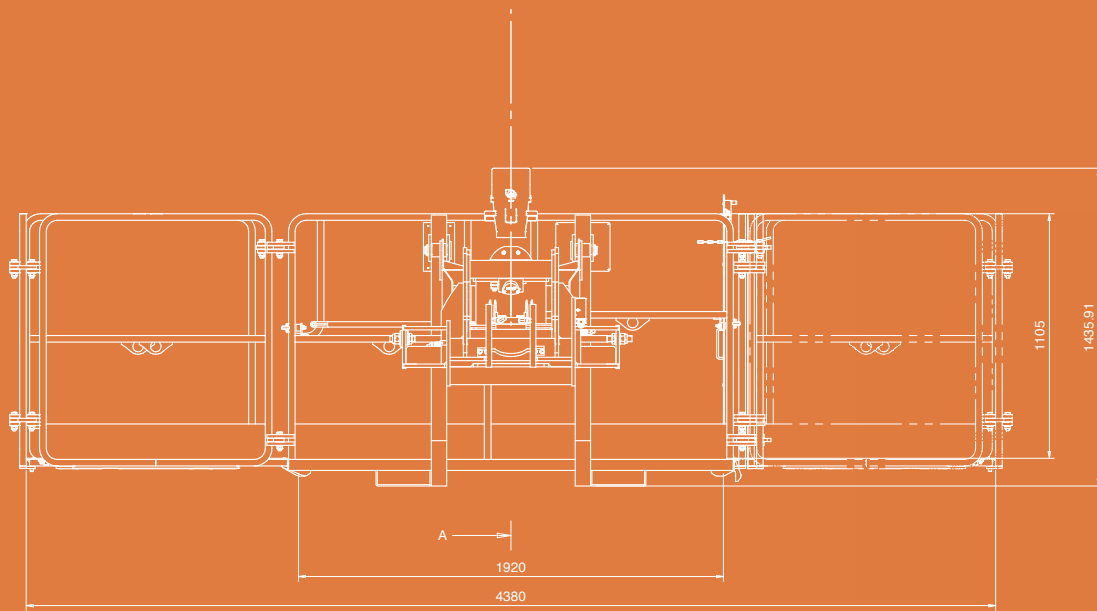
BB600



	BB600
	600 l
	1.420 mm
	2.020 mm
	1.180 mm
	1.130 mm
	197 Kg
	1.320 Kg
	✓

HYDRAULIC OPENING OF THE BUCKET





PLATFORMS

REP 2-4,5 - 10.2-4,7 - 2-6,5



APPROVED FOR 3 PEOPLE GALVANIZED AND REINFORCED STRUCTURE

	REP 2-4,5	REP 10.2-4,7	REP 2-6,5
	ROTATING EXTENDABLE MEN PLATFORM 500 KG	ROTATING EXTENDABLE MEN PLATFORM 1.000 KG	ROTATING EXTENDABLE MEN PLATFORM 1.000 KG - 6.5 M
	500 Kg	1.000 Kg	1.000 Kg
	2.350 - 4.530 mm	2.384 - 4.685 mm	2.400 - 6.430 mm
	+/- 90°	+/- 90°	+/- 90°
	3	3	3
	✓	✓	✓

PUSHBUTTON PANEL

Our pushbutton panel is designed to reproduce all the functions, including the display of the load control system present in the cab, while at the same time maintaining utmost compactness. If disconnected, it becomes a radio control.

ROTATION SYSTEM

Our rack system completely eliminates the plays in rotation thereby removing the undesirable and hazardous shocks in rotation stop.

WEIGHING SYSTEM WITH OVERLOAD SENSOR

PATENTED EXTENSION SYSTEM

ANTI-SLIP FLOOR

REP 2-6,5 W0,3 - REP 8.2-4,7 W0,3



	REP 2-6,5 W0,3	REP 8.2-4,7 W0,3
	PLATFORM 6.5M 1.000 KG WITH WINCH 300 KG	PLATFORM 4.7M 800 KG WITH WINCH 300 KG
	1.000 Kg	800 Kg
	2.420 - 6.530 mm	2.394 - 4.685 mm
	+ / - 90°	+ / - 90°
	3	3
	300 Kg	300 Kg
	2.015 mm	2.015 mm
	+ / - 90° manual	+ / - 90° manual
	0° / 64°	0° / 64°
	✓	✓

PUSHBUTTON PANEL



Our pushbutton panel is designed to reproduce all the functions, including the display of the load control system present in the cab, while at the same time maintaining utmost compactness. If disconnected, it becomes a radio control.

ROTATION SYSTEM



Our rack system completely eliminates the plays in rotation thereby removing the undesirable and hazardous shocks in rotation stop.

300 KG CAPACITY HYDRAULIC WINCH EQUIPPED ON PLATFORM



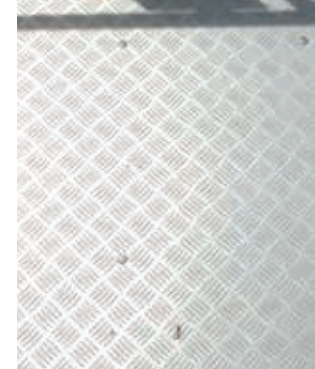
WEIGHING SYSTEM WITH OVERLOAD SENSOR



PATENTED EXTENSION SYSTEM



ANTI-SLIP FLOOR



TP - TP 2.10



DESIGNED FOR WORKING IN TOTAL SAFETY

	TP	TP 2.10
	TELESCOPIC PIVOTING MEN PLATFORM WITH 180° ROTATION	TELESCOPIC PLATFORM TP 2.10
	300 Kg	200 Kg
	1.000 x 2.500 mm	800 x 1.200 (extended)
	+ / - 90°	+ / - 90°
	3	2
	5.650 - 7.250 mm	6.440 - 9.770 mm
	4.900 - 6.700 mm	6.430 - 10.200 mm
	1.630 mm	3.350 mm
	✓	✓

PUSHBUTTON PANEL



Our pushbutton panel is designed to reproduce all the functions, including the display of the load control system present in the cab, while at the same time maintaining utmost compactness. If disconnected, it becomes a radio control.

ROTATION SYSTEM



ANTI-SLIP FLOOR



TP O-U



DESIGNED FOR WORKING IN TOTAL SAFETY
LARGE BASKET AND APPROVED FOR 2 PEOPLE

TP O-U	
TELESCOPIC PIVOTING MEN PLATFORM OVER-UNDER WITH 340° ROTATION	
	200 Kg
	800 mm x 1.200 (extended) mm
	340° hydraulic
	2
	5.100 - 6.900 mm
	2.848 (closed) - 4.579 (open) mm
	4.064 (open) - 5.795 (closed) mm
	1.800 mm
	✓

PUSHBUTTON PANEL

Our pushbutton panel is designed to reproduce all the functions, including the display of the load control system present in the cab, while at the same time maintaining utmost compactness. If disconnected, it becomes a radio control.

SENSOR FOR DETECTION OF THE POSITION OF THE BOOM

ANTI-SLIP FLOOR

HRP OU

DESIGNED FOR WORKING IN TOTAL SAFETY
TELESCOPIC JIB DESIGNED TO WORK IN NEGATIVE FOR INSPECTIONS UNDER BRIDGES



The hanging platforms allows to work under bridges

NECESSARY OPTIONS

DOUBLE OUTPUT ON BOOM HEAD



PUSHBUTTON PANEL

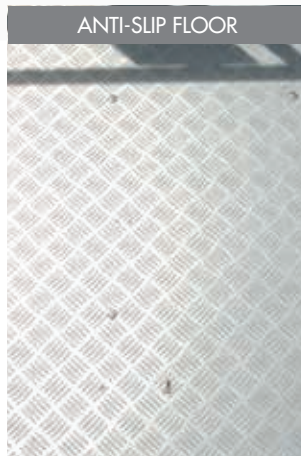


Our pushbutton panel is designed to reproduce all the functions, including the display of the load control system present in the cab, while at the same time maintaining utmost compactness. If disconnected, it becomes a radio control.

SENSOR FOR DETECTION OF THE POSITION OF THE BOOM



ANTI-SLIP FLOOR

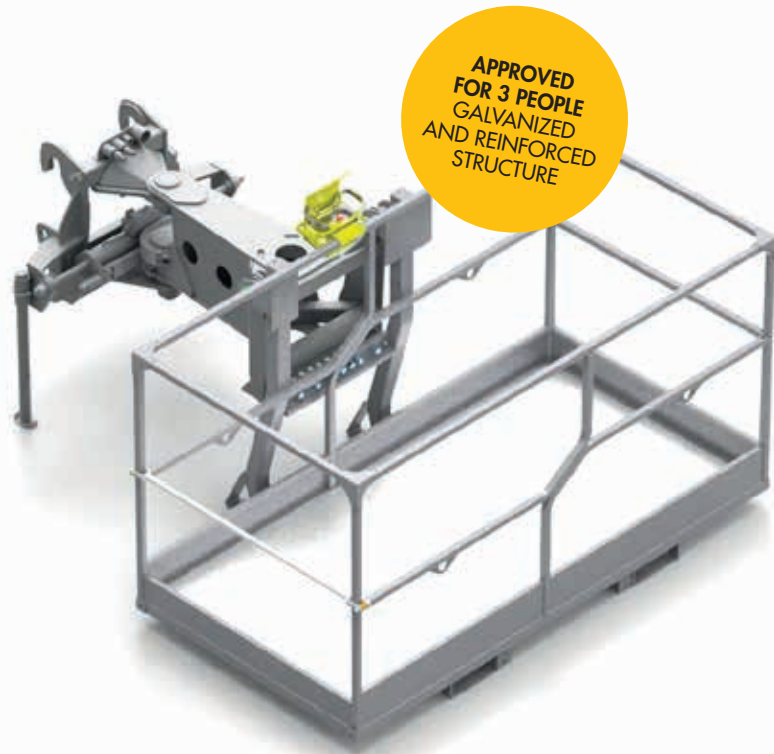


HRP OU

ROTATING HANGING PLATFORM

	200 Kg
	990 X 620 mm
	340° hydraulic
	2
	8.335 mm
	10.140 (closed) - 11740 (open) mm
	10.531 (closed) - 12131 (open) mm
	1.600 mm
	✓

P1,4 - RP1,4 - RP2,2



	P1,4	RP1,4	RP2,2
	FIXED PLATFORM 200 KG	ROTARY NON-EXTENDABLE PLATFORM 1.4M 200 KG	ROTARY NON-EXTENDABLE PLATFORM 2.2M 200 KG
	200 Kg	200 Kg	200 Kg
	1.400 x 700 mm	1.400 x 670 mm	2.230 x 1.156 mm
	X	+ / - 90°	+ / - 90°
	2	2	2
	✓	✓	✓

PUSHBUTTON PANEL

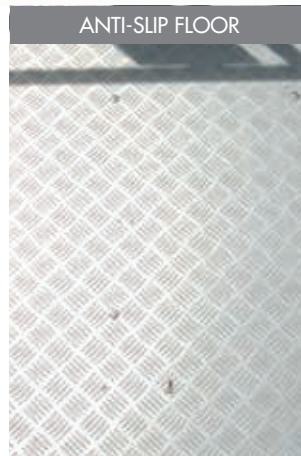


Our pushbutton panel is designed to reproduce all the functions, including the display of the load control system present in the cab, while at the same time maintaining utmost compactness. If disconnected, it becomes a radio control.

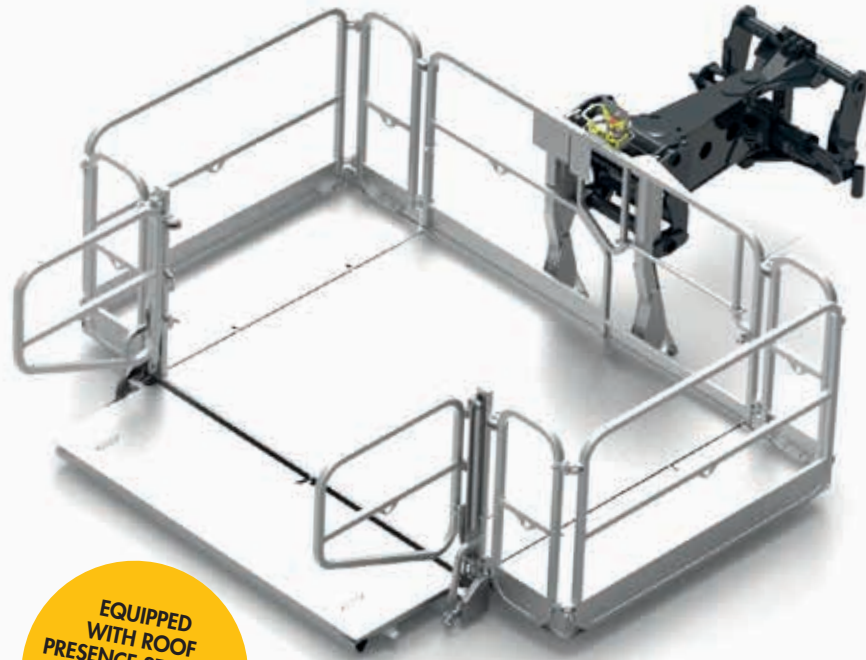
WEIGHING SYSTEM WITH OVERLOAD SENSOR



ANTI-SLIP FLOOR



RRP 10.2,5-3,5



**EQUIPPED WITH ROOF PRESENCE SENSORS
EQUIPPED WITH SIDE OPENING FOR ENTRY**

PUSHBUTTON PANEL



Our pushbutton panel is designed to reproduce all the functions, including the display of the load control system present in the cab, while at the same time maintaining utmost compactness. If disconnected, it becomes a radio control.

ROTATION SYSTEM



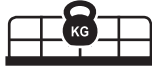
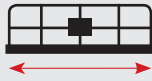
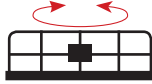




Our rack system completely eliminates the plays in rotation thereby removing the undesirable and hazardous shocks in rotation stop.

EQUIPPED WITH SENSORS TO PREVENT MOVEMENT WHEN THE FRONT OPENING IS OPEN

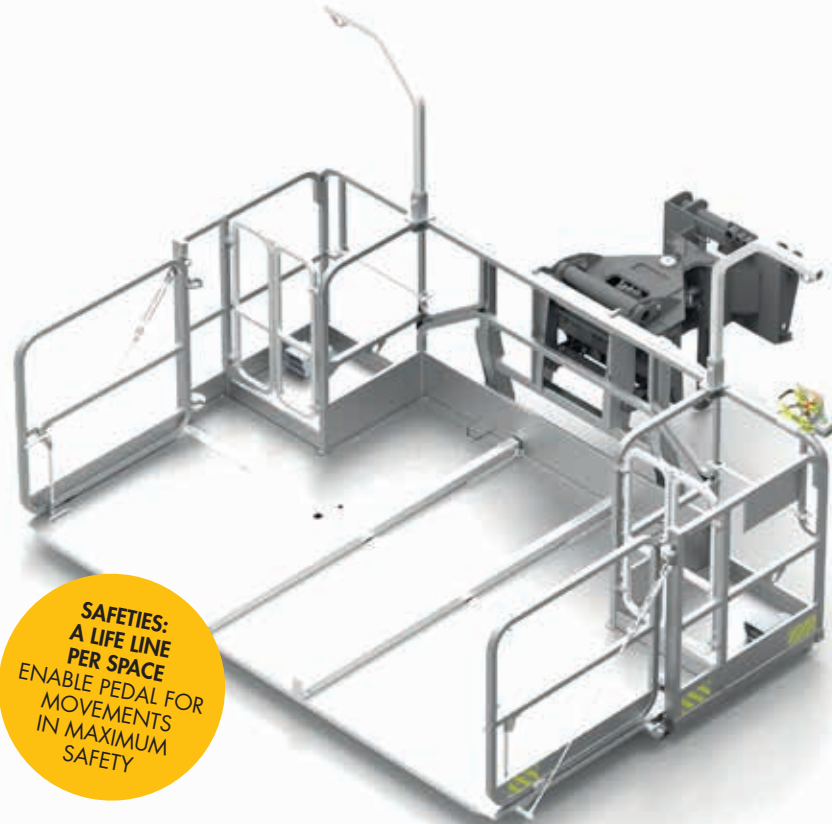


RRP 10.2,5-3,5

ROTATING EXTENDABLE PLATFORM FOR ROOFS 1000KG

	1.000 Kg
	2.470 mm (closed) - 3.420 (open) x 1.880 mm
	+/- 90°hydraulic
	3
	2.020 mm
	740 mm
	✓

RAP 10-3,6



**SAFETIES:
A LIFE LINE
PER SPACE
ENABLE PEDAL FOR
MOVEMENTS
IN MAXIMUM
SAFETY**

RAP 10-3,6	
ROTATING PLATFORM FOR ASBESTOS 1.000 KG	
	1.000 Kg
	3.574 x 730 (closed) - 1.890 (open)
	+/- 90°hydraulic
	2
	✓

Platform for disposal of asbestos with two stations for operators: the main station has a pushbutton panel for movements that are automatically enabled if the other station is not occupied; otherwise the latter is provided with an enable pedal to perform the movements in such a way as to ensure the safety of both operators. Otherwise the latter is provided with an enable pedal to perform the movements in such a way as to ensure the safety of both operators.

This platform has been designed **to prevent the operator from coming into direct contact with asbestos**. In fact, the floor is extendable to accommodate more pallets on which the asbestos can be deposited directly by forklift.

If necessary, it is possible to take **complete control of the platform** from the cab to set the operators in safety.

PUSHBUTTON PANEL

Our pushbutton panel is designed to reproduce all the functions, including the display of the load control system present in the cab, while at the same time maintaining utmost compactness. If disconnected, it becomes a radio control.

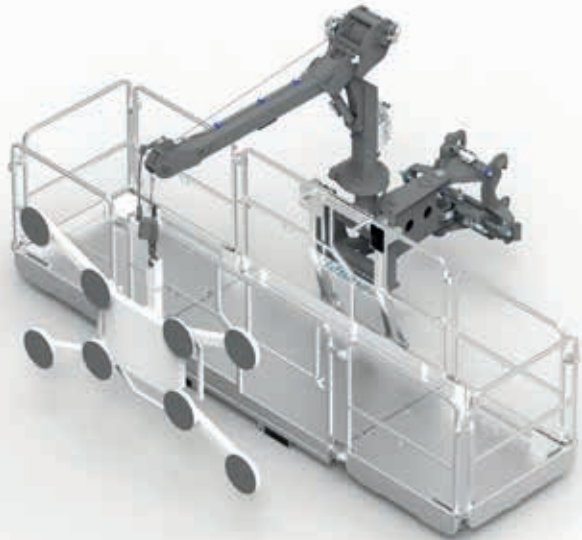
ROTATION SYSTEM

Our rack system completely eliminates the plays in rotation thereby removing the undesirable and hazardous shocks in rotation stop.

EQUIPPED WITH SENSORS TO PREVENT MOVEMENT WHEN THE FRONT OPENING IS OPEN

GLASS PLATFORM

RAP 5.2-4.5 WG 0,5



NECESSARY OPTIONS

DOUBLE OUTPUT
ON BOOM HEAD



HYDRAULIC
RETURN LINE



PUSHBUTTON PANEL



Our pushbutton panel is designed to reproduce all the functions, including the display of the load control system present in the cab, while at the same time maintaining utmost compactness. If disconnected, it becomes a radio control.

ROTATION SYSTEM



Our rack system completely eliminates the plays in rotation thereby removing the undesirable and hazardous shocks in rotation stop.

RAP 5.2-4.5 WG 0,5

PLATFORM WITH GLASS ATTACHMENT
500 KG



500 Kg



2.350 (closed) -
4.530 (open)
mm



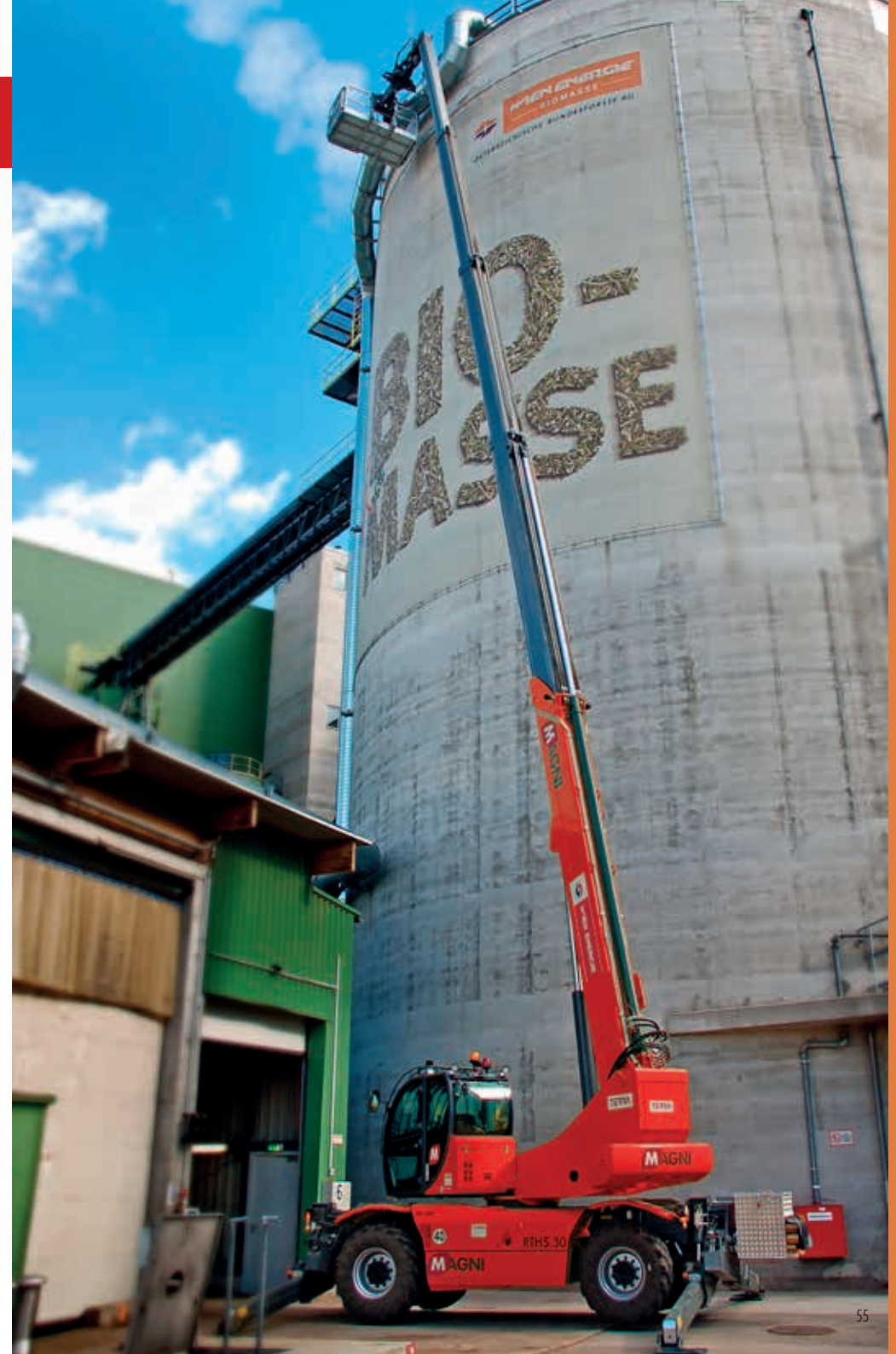
+/-
90°hydraulic



2



500 Kg





SPECIAL

RC 4T



RC 4T	
RIB CLAMP	
	4.000 Kg
	46°
	+/- 65° (manual)
	✓

ADJUSTABLE CLAMP TO FIT TO THE RIB DIMENSIONS AS AN OPTION IT IS POSSIBLE TO HAVE IT EQUIPPED ON A SPECIAL BASKET

KINSHOFER

KINSHOFER	
TREE CUTTER	
	1.716 mm
	570 mm
	360°
	✓

The principle underlying the gripper is that of having a calculation system which automatically relates the diameter of the tree with the height, and consequently the weight of the section to be cut by using the predefined Tables, so as to always work in safety.



GRAB WITH 3 TINES 90 CM SAW

NECESSARY OPTIONS

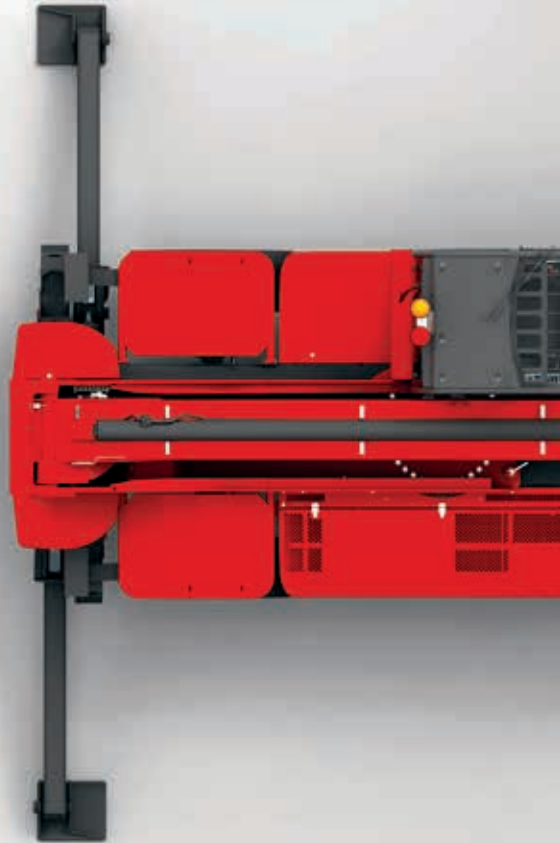
DOUBLE OUTPUT ON BOOM HEAD

RC - RCS



RC	RCS
REMOTE CONTROL AND PLATFORM CONTROL	REMOTE CONTROL FOR HYDRAULIC MOVEMENTS, OUTRIGGERS AND TRANSMISSION
Remote Control and platform control equipped with 2 electroproportional joystick that reproduces the cabin controls	Remote Control and platform control equipped with 2 electroproportional joystick that reproduces the cabin controls; moreover with this device is possible to manage outriggers and transmission up to 5 km/h.





Magni Telescopic Handlers srl

Via Magellano, 22 - 41013 Castelfranco Emilia, Modena,
Italia - Tel: +39 059 8630811 - Fax: +39 059 8638012
commerciale@magnith.com - www.magnith.com