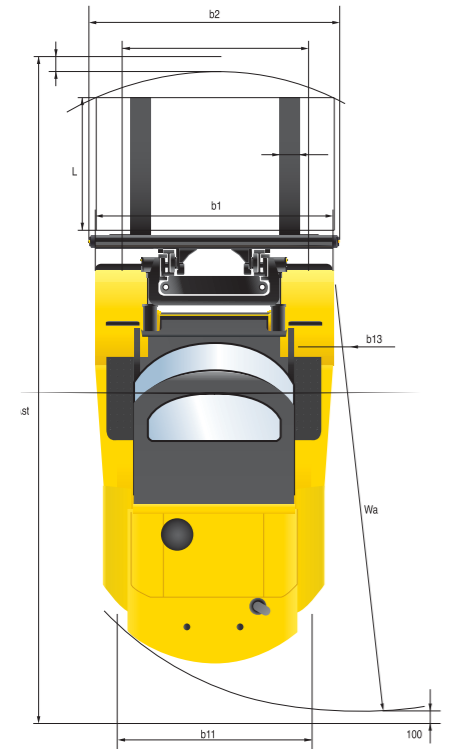
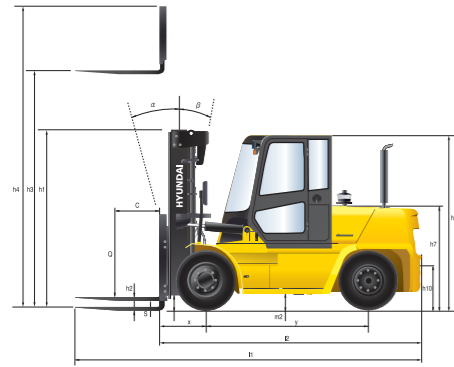


Dimension



Specification

Identification					
1.1	Manufacturer	Hyundai	Hyundai	Hyundai	Hyundai
1.2	Manufacturer's type designation	50D-7E ACE	60D-7E ACE	70D-7E ACE	80D-7E ACE
1.3	Drive: electric (battery or mains),diesel,petrol,fuel gas,manual	DIESEL	DIESEL	DIESEL	DIESEL
1.4	Type of operation:hand,pedestrian,standing,seated,order-picker	seated	seated	seated	seated
1.5	Load capacity / rated load	kg 5,000	6,000	7,000	8,000
1.6	Load center distance	c(mm) 600	600	600	600
1.7	Load distance, center of drive axle to fork	x(mm) 605	615	615	690
1.8	Wheelbase	y(mm) 2,300	2,300	2,300	2,500
Weights					
2.1	Service weight	kg 8,440	9,218	9,886	11,006
2.2	Axle loading, loaded front/rear	kg 11,963 / 1,477	13,513 / 1,705	14,867 / 2,019	16,928 / 2,078
2.3	Axle loading, unloaded front/rear	kg 4,320 / 4,118	4,343 / 4,875	4,169 / 5,717	4,800 / 6,206
Wheels, Chassis					
3.1	Tires:Pneumatic (P), Solid (S), Non-marking (N)	P	P	P	P
3.2	Tires size, front(Øx width)	8.25-15-14PR	8.25-15-14PR	8.25-15-14PR	9.00-20-14PR
3.3	Tires size, rear(Øx width)	8.25-15-14PR	8.25-15-14PR	8.25-15-14PR	9.00-20-14PR
3.4	Wheels, number front x rear (x=driven wheels)	4 x / 2	4 x / 2	4 x / 2	4 x / 2
3.5	Track width, front	b10 mm 1,580	1,580	1,580	1,632
3.6	Track width, rear	b11 mm 1,604	1,604	1,604	1,700
Basic Dimensions					
4.1	Mast / fork carriage tilt forward / backward (α/β)	degrees 15 / 10	15 / 10	15 / 10	15 / 10
4.2	Lowered mast height	h1 (mm) 2,515	2,515	2,515	2,675
4.3	Free lift	h2 (mm) 140	140	140	145
4.4	Lift height	h3 (mm) 3,030	3,030	3,030	3,040
4.5	Extended mast height	h4 (mm) 4,320	4,320	4,320	4,375
4.6	Overhead guard height	h6 (mm) 2,500	2,500	2,500	2,603
4.7	Seat height / standing height	h7 (mm) 1,395	1,395	1,395	1,464
4.8	Coupling height	h10 (mm) 425	425	425	493
4.9	Overall length	l1 (mm) 4,700	4,765	4,820	5,000
4.10	Length to face of forks	l2 (mm) 3,500	3,570	3,640	3,960
4.11	Overall width (Frame)	b1 (mm) 2,087	2,087	2,087	2,190
4.12	Fork dimensions (hook type)	s / e / l (mm) 60 x 150 x 1,200	65 x 150 x 1,200	65 x 150 x 1,200	70 x 180 x 1,200
4.13	Fork carriage ISO 2328, class / type A,B	Class IV	Class IV	Class IV	Class IV
4.14	Fork-carriage width	b2 (mm) 2,068	2,068	2,068	2,268
4.15	Ground clearance, loaded, under mast	m1 (mm) 195	195	195	250
4.16	Ground clearance, centre of wheelbase	m2 (mm) 220	220	220	287
4.17	Aisle width for pallets 1,000 x 1,200 crossways (L x W)	Ast (mm) 5,121	5,180	5,238	5,580
4.18	Aisle width for pallets 800 x 1,200 lengthways (W x L)	Ast (mm) 5,321	5,380	5,438	5,780
4.19	Turning radius	Wa (mm) 3,270	3,320	3,360	3,600
4.20	Smallest pivot point distance	b13 mm 1,224	1,224	1,224	1,354
Performance Data					
5.1	Travel speed, unloaded	km/h 34.7	34.6	33.8	35.0
5.2	Lift speed, loaded / unloaded	mm/s 440 / 460	430 / 460	420 / 460	410 / 480
5.3	Lowering speed, loaded / unloaded	mm/s 500 / 450	500 / 450	500 / 450	500 / 500
5.4	Drawbar pull, loaded	kg 7,232	7,252	7,304	7,008
5.5	Gradeability, Loaded	% 55.8	44.1	42.4	36.1
5.6	Service brake	FOOT (Hydraulic)	FOOT (Hydraulic)	FOOT (Hydraulic)	FOOT (Hydraulic)
Engine					
6.1	Engine manufacturer / type	HMC D4DD	HMC D4DD	HMC D4DD	HMC D4DD
6.2	Engine power acc. to ISO 1585	kW 73.5	73.5	73.5	73.5
6.3	Rated speed	1/min 2,300	2,300	2,300	2,300
6.4	No. of cylinder / cubic capacity	cm ³ 3,907	3,907	3,907	3,907
6.5	Fuel consumption acc. to VDI cycle	l/h 4.0	4.2	4.5	5.2
Other Details					
8.1	Type of drive control	Full Auto	Full Auto	Full Auto	Power Shaft
8.2	Operating pressure (system / attach)	bar 185	185	185	210
8.3	Oil volume (hydraulic)	l 100	100	100	100
8.4	Noise (at driver's ear according to DIN 12 053)	db(A) 82	82	82	85



* Some of the photos may include optional equipment.

HYUNDAI DIESEL FORKLIFT TRUCKS Applied Tier 3 Engine

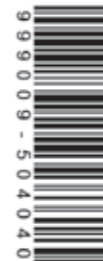
50/60/70/80D-7E ACE

HYUNDAI FORKLIFT
HEAVY INDUSTRIES CO.,LTD.

Head Office (Sales Office)
14th Fl., Hyundai Bldg. 75, Yulgok-ro, Jongno-gu, Seoul 110-796, Korea
TEL (82) (2) 746-4609, 4753 / FAX (82) (2) 746-7444, 7445

Americas Operation : Hyundai Construction Equipment Americas, Inc.
6100 ATLANTIC BOULEVARD NORCROSS GA 30071 U.S.A
TEL (1) 847-678-823-7802 / FAX (1) 847-678-823-7778

Europe Operation : Hyundai Heavy Industries Europe N.V.
VOSSENDAAL 11, 2440 GEEL, BELGIUM
TEL (32) 14-56-2200 / FAX (32) 14-59-3405



PLEASE CONTACT

www.hyundai-ce.com

2014. 07. Rev. 0

HYUNDAI
HEAVY INDUSTRIES CO.,LTD.

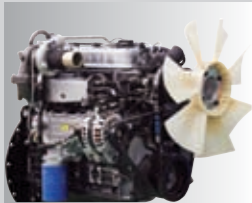
We build a better future

New criteria of forklift trucks

Hyundai introduces a new line of **ACE series diesel forklift trucks**.
Excellent power and performance make your business more profitable.



Excellent



HMC D4DD engine



Up-to-date cooling system

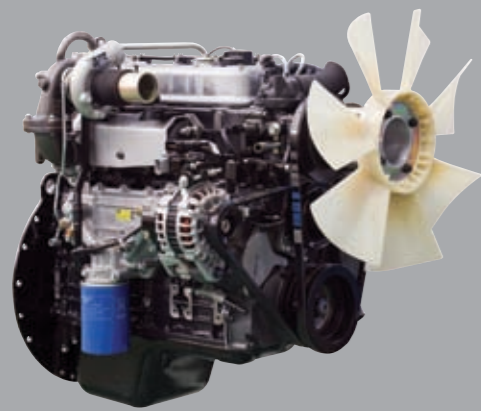


High-output air conditioner

* Some of the photos may include optional equipment.

The new master on the job-site!

Smooth running, efficient and ergonomically designed, **50/60/70/80D-7E ACE series** are made to meet your needs.



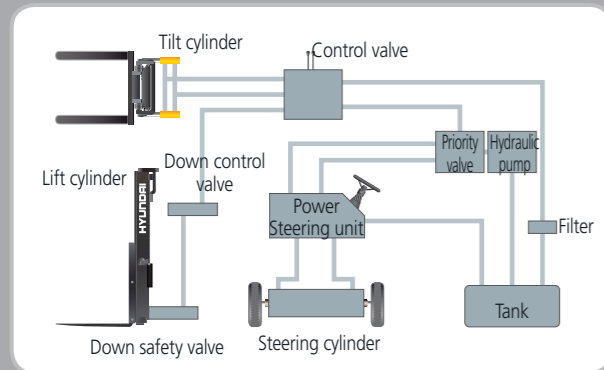
HMC D4DD Engine

Powerful engine

Market approved quality of HMC D4DD engine ensures incomparable performance, durability and excellent fuel efficiency. This engine meets EPA Tier-III and EU stage III A emission regulations.

73.5kW / 2,300rpm

38kgf.m/1,600rpm

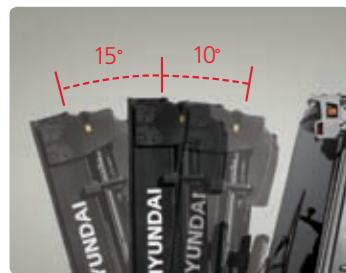


State-of-the-art hydraulic system

The latest large-capacity hydraulic system reacts quickly during operation, and a low-noise control valve increases both efficiency and durability.



* Some of the photos may include optional equipment.



Increased mast tilting angle

The mast tilting angle of 15 degrees forward and 10 degrees backward, the operator can safely and rapidly perform loading and unloading jobs.



Wet disc brake system

The wet disc brake system is virtually maintenance free and is enclosed to protect from dust and water.



Fully hydrostatic power steering

A hydraulic steering always guarantees smooth and flexible steering, preventing overrun and kick-back.



Key-locking fuel filler

Increased security on job sites with locking fuel cap, plus an increased capacity fuel tank for less down time.

Faster travel speed & gradeability

The powerful high-output engine provides greater acceleration, better gradeability and faster travel speed on any tough terrain or slope.



Travel speed (Unloaded)	Gradeability (Loaded)
50D-7E ACE : 34.7km/h	50D-7E ACE : 55.8%
60D-7E ACE : 34.6km/h	60D-7E ACE : 44.1%
70D-7E ACE : 33.8km/h	70D-7E ACE : 42.4%
80D-7E ACE : 35.0km/h	80D-7E ACE : 36.1%

Ergonomic operator friendly compartment design!

Smooth running, efficient and ergonomically designed, **50/60/70/80D-7E ACE series** are made to meet your needs.

Operator friendly gauges and water-resistant monitor panel



USB MP3 player



Grammer seat (option)

An attractive and adjustable seat, based on a human engineering design, provides great comfort. And the angle of the armrest can be adjusted to reduce the fatigue of the driver.

- Applied the weight of the driver(45~170kg)
- ELR type seat belt standard
- Heater and Head Rest (Option)



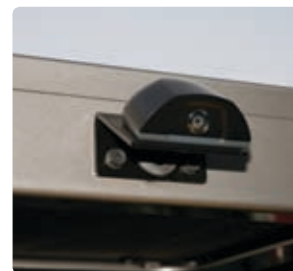
High-output air conditioner & heater



Multi key option



* Some of the photos may include optional equipment.



Rear view camera

The rear view camera makes the operation more easy and convenient. (Option)



Load Indicator

A load can be placed on the fork and can be accurately weighed by measuring the hydraulic pressure. (Option)



Quick response of operating control levers

Only minimal operator's effort is required for precise, safe and productive control.(std 2spool)



Adjustable steering wheel

Steering wheel with horn button can be adjusted by a lever on the right-hand side for the most comfortable operator position.



Easy and safe shift lever

A single lever on the left side of the steering column gives the operator fast, easy control of direction. The lever must be in the neutral position before the engine can be started.



Multi-function switch lever

Multi-functional switch lever gives easy access to lights and horn.



Ergonomically positioned pedals

Based on human engineering, the accelerator, brake and inching pedals are optimally positioned for convenience while operating the equipment.

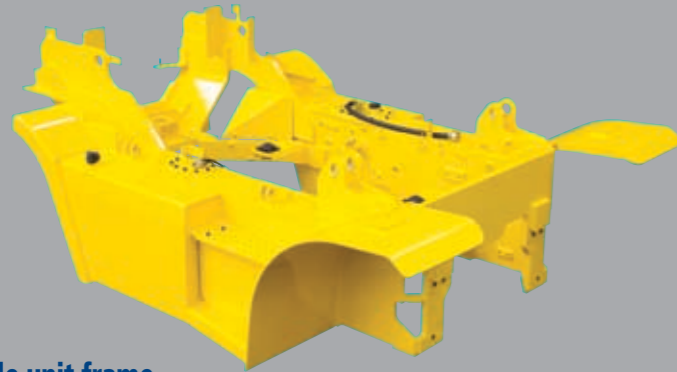


Parking lever

Using the type of car parking lever, it is easy to control. You can safely parking, even so inclined.

Enhanced safety through high durability!

Safety and durability are priorities in the design of the equipment.



Heavy duty single unit frame

Heavy duty single unit type frame, designed on the basis of accurate structural analysis, guarantees durability and safety.



ZF Full-automatic transmission

Full-automatic transmission gives easy, convenient handling and soft, smooth shifting. The operator can select two kinds of automatic mode.



Highly durable split type drive axle

The durable drive axle provides fast travel speed and quiet travel under any heavy load condition, and boosts work efficiency.



* Some of the photos may include optional equipment.



Aluminum radiator and coolers

Aluminum radiator and coolers have been applied to increase the durability and heat output.



Large footboard & hand grip

Wide "open" step offers convenience and safety when entering and exiting truck.



Rearview mirror size increases

150% increase in the rearview mirror size, you can get a wider field of view.



Bright, protected headlights

Bright, protected headlights are positioned for exceptional visibility.



Expansion bellows

The expansion bellows absorbs vibration and reduces noise generated from the exhaust gas system and also extends the life cycle of exhaust gas system.



OPSS (Operator Presence Sensing System)

Control of mast tilting, lifting and lowering is not possible through operation of the appropriate control when the operator is not in the seated position. (Option)



Grease inlet

To facilitate the steering axle grease was applied remote type.

Centralized design for easy service!

An ideal arrangement of component parts ensures easy accesses and conveniences for the maintenance.



Large engine hood
Highly accessible engine compartment assures fast and efficient maintenance.



Easy change air cleaner
The air filter is readily accessible for cleaning or replacement.



Cabin tilting automatic system
Cabin tilting automatic system makes servicing of all power train components quick and easy. An electrically assisted hydraulic actuated cylinder tilts operator cabin to left side about 54 degrees for easy access to inside of truck components.



* Some of the photos may include optional equipment.



Cabin air fresh filter
The internal pressure is maintained to be slightly higher than that of outside to exclude dust and to reduce noise levels.



Mechanic friendly fuel filter replacement
Highly accessible engine compartment allows for quick replacement of filters.



Electrically monitored air filter
Air cleaner sensor alerts the operator of a clogged air filter and allows replacement before damage.



Compact fuse box for easy inspection



Maintenance free battery



Easy-to-access reservoir tank



Large tool box
Additional tool box located in machine side for operator's convenience.



Wing cover locking system

Mast Specification (Hook/Shaft Type)

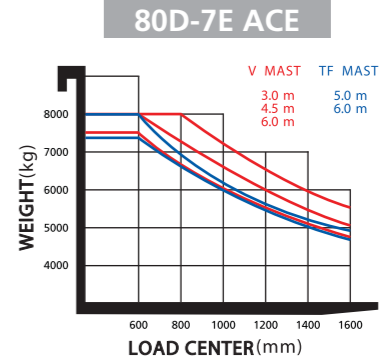
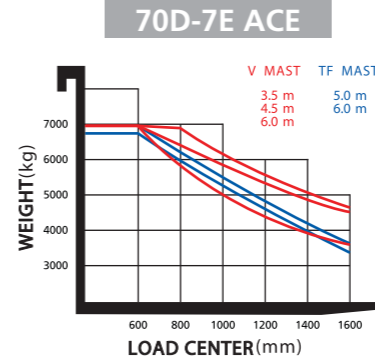
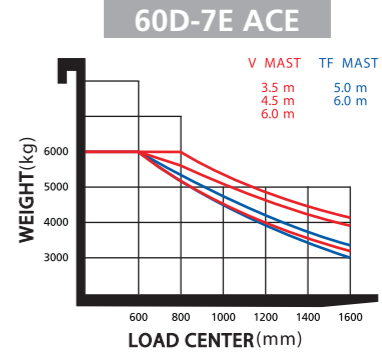
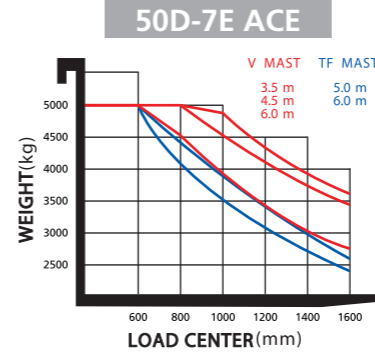
Table with columns for Model, Mast Type, Maximum Fork Height (mm), Overall Height (mm), Free Lift (mm), Tilt Angle (deg), Load Capacity without side shift at 600mm LC (kg), Load Capacity with side shift at 600mm LC (kg), and Truck Weight (Unloaded) (kg). Includes sub-headers for Lowered, Extended (W/o Load Backrest, W/Std Load Backrest), and Without/With Std Load Backrest.

Table with columns for Model, Mast Type, Maximum Fork Height (mm), Overall Height (mm), Free Lift (mm), Tilt Angle (deg), Load Capacity without side shift at 600mm LC (kg), Load Capacity with side shift at 600mm LC (kg), and Truck Weight (Unloaded) (kg). Includes sub-headers for Lowered, Extended (W/o Load Backrest, W/Std Load Backrest), and Without/With Std Load Backrest. Includes a sub-section for 60D-7E ACE / 70D-7E ACE.

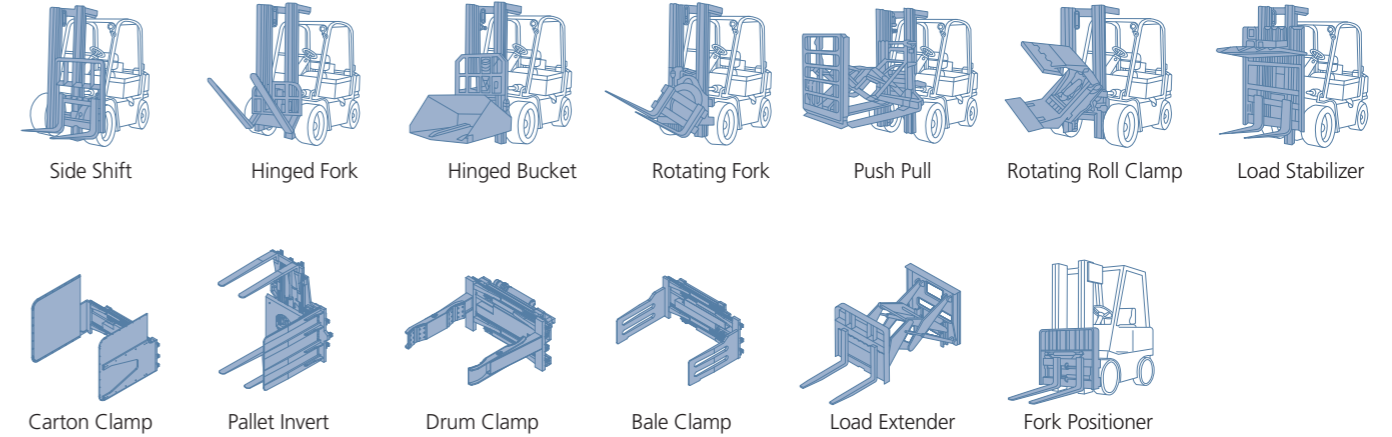
Table with columns for Model, Mast Type, Maximum Fork Height (mm), Overall Height (mm), Free Lift (mm), Tilt Angle (deg), Load Capacity without side shift at 600mm LC (kg), Load Capacity with side shift at 600mm LC (kg), and Truck Weight (Unloaded) (kg). Includes sub-headers for Lowered, Extended (W/o Load Backrest, W/Std Load Backrest), and Without/With Std Load Backrest.

*Standard

Load Capacity



Various Attachments



Optional Items

- FORK (L x W x T) (mm)
· HOOK TYPE
· 50D-7E ACE
· 60/70D-7E ACE
· 80D-7E ACE
· SHAFT TYPE
· 50D-7E ACE
· 60/70D-7E ACE
· 80D-7E ACE
· 1,350 x 180 x 70
· 1,500 x 180 x 70
· 1,800 x 180 x 70
· 2,000 x 180 x 70
· 2,400 x 180 x 70
· OPSS (TRAVEL OR TRAVEL + MAST)
· REAR VIEW CAMERA
· LOAD INDICATOR
· 3STAGE FULL FREE LIFT DUAL FREE CYL TYPE
· WIDE CARRIAGE (2,190mm, HOOK TYPE)
(2,223mm, SHAFT TYPE)
FOR 50/60/70D-7E ACE