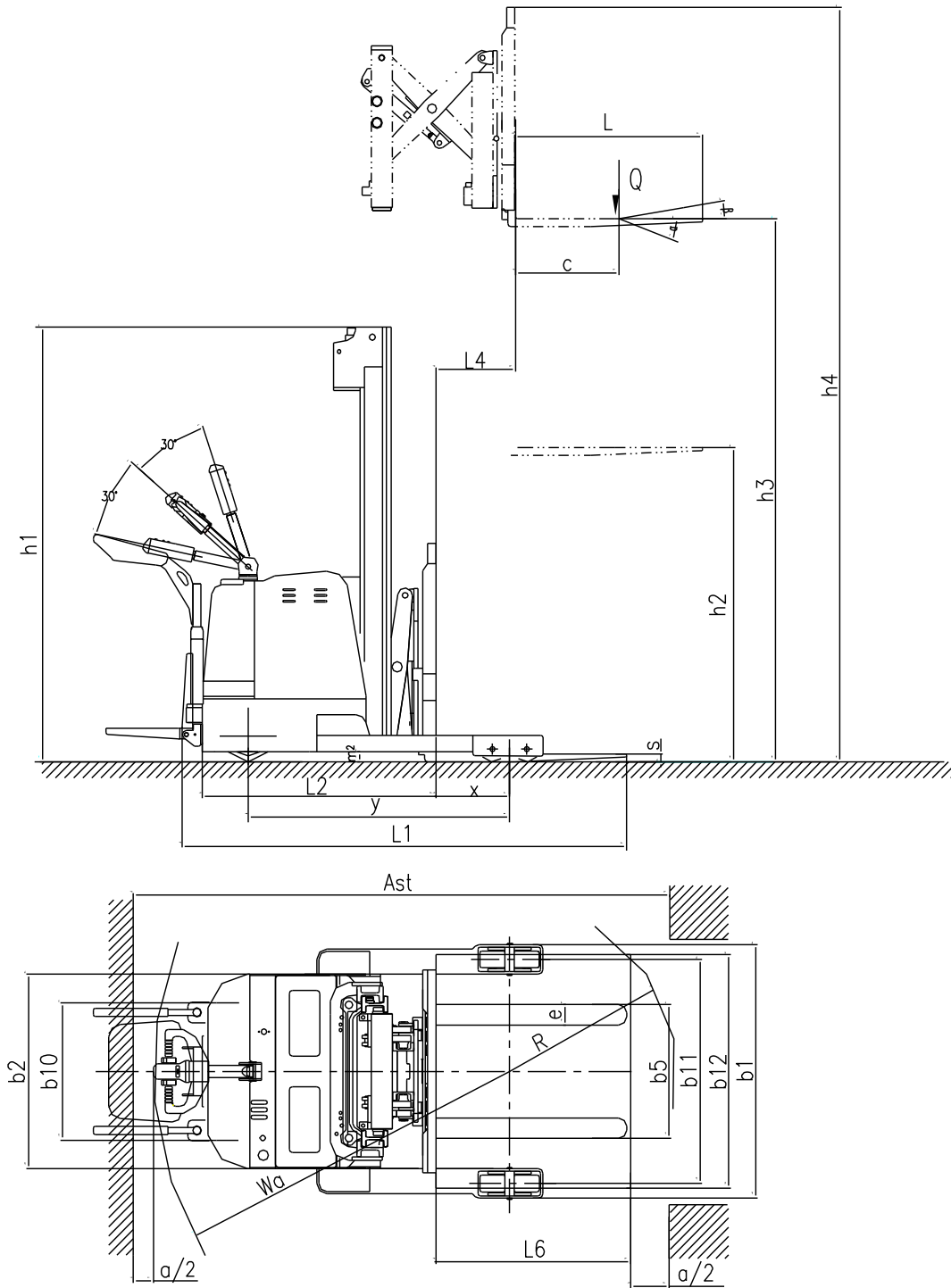


I. Outline drawing



$$A_{st} = Wa + R + a$$

$$A_{st} = Wa + \sqrt{(l_6 - x)^2 + (b_{12}/2)^2} + a$$

Feature	1.2	Model		15ERSP								
	1.3	Driving mode		electric								
	1.4	Driving mode		Standing(EPS)								
	1.5	Rated load	Q(kg)	1500								
	1.6	Load center distance	c(mm)	500								
	1.8	Front overhang	x(mm)	287				315				
	1.9	Tread	Y(mm)	1319				1354				
Weight	2.1	Service weight(with storage battery)	kg	2250	2300	2350	2500	2550	2600			
Chassis	3.1	Wheels (rubber, high elasticity, pneumatic tyre, polyurethane wheel)		polyurethane								
	3.2	Front wheel dimension	mm	250x82								
	3.3	Rear wheel dimension	mm	125x82X2								
	3.5	Wheel number, front/rear (x=driving wheel)		1x+2/4								
	3.6	Additional wheel		150×62 X2								
	3.7	Tread, front	b ₁₀ (mm)	715								
	3.8	Tread, rear	b ₁₁ (mm)	1074/1154								
Dimension	4.1	Tilt of mast/fork carriage forward/backward	Grad	2/5								
	4.2	Height, mast lowered	h ₁ (mm)	1619	1869	2119	2369	2619	2179	2341	2499	
	4.3	Free lift height	h ₂ (mm)						1776	1776	2010	
	4.4	Lift height	h ₃ (mm)	2000	2500	3000	3500	4000	4500	5000	5500	
	4.5	Height, mast extended	h ₄ (mm)	2881	3381	3881	4381	4881	5381	5881	6381	
	4.2	Overall length	l ₁ (mm)	2364				2384				
	4.20	Length to fork face	l ₂ (mm)	1289				1314				
	4.21	Overall width of truck body	b ₁ l ₂ (mm)	1220 /950						1300/950		
	4.2	Fork dimension	s/e/l(mm)	35 x 100 x 1050								
	4.3	Reach distance	l ₄ (mm)	500								
	4.3	Wheelbase ground distance	m ₂ (mm)	50								
	4.3	Aisle width for pallets 1000x1200 crossways	A _s (mm)	2742				2767				
	4.3	Aisle width for pallets 800x1200 lengthways	A _s (mm)	2806				2830				
	4.4	Turning radius	W ₆ (mm)	1613				1647				
	Performance Data	5.1	Travel speed, laden/unladen	Km/h	4.8/5				4.8/5			
		5.2	Lift speed, laden/unladen	m/s	0.095/0.12							
5.3		Loweringspeedladen/unladen	m/s	0.2/0.15								
5.8		Max.gradeability,laden/unladen	%	5/12								
5.10		Traveling brake		Electromagnetic brake								
Motor	6.1	Drive motor power	kW	1.5 AC/2.2 AC								
	6.2	Lift motor power	Kw/V	3.3 (4.5) /24								
	6.4	Batteryvoltage/nominal capacity	V/Ah	24/320、360、420								

	6.5	Battery weight	kg	325 (375、400)					
		Battery dimension (LXWXH)	mm	812x324x535/812x324x560/812x324x575					
	8.4	Noise level at operator's ear, according to DIN12053	dB(A)	75					

Feature	1.2	Model		20ERSP							
	1.3	Driving mode		electric							
	1.4	Driving mode		Standing(EPS)							
	1.5	Rated load	Q(kg)	2000							
	1.6	Load center distance	c(mm)	500							
	1.8	Front overhang	x(mm)	265			262				
	1.9	Tread	Y(mm)	1462			1481				
Weight	2.1	Service weight(with storage battery)	kg	2450	2500	2550	2700	2750	2800		
Chassis	3.1	Wheels (rubber, high elasticity, pneumatic tyre, polyurethane wheel)		polyurethane							
	3.2	Front wheel dimension	mm	250x82							
	3.3	Rear wheel dimension	mm	125x82X2							
	3.5	Wheel number, front/rear (x=driving wheel)		1x+2/4							
	3.6	Additional wheel		150x62x2							
	3.7	Tread, front	b ₁₀ (mm)	710							
	3.8	Tread, rear	b ₁₁ (mm)	1120							
Dimension	4.1	Tilt of mast/fork carriage forward/backward	Grad	2/5							
	4.2	Height, mast lowered	h ₁ (mm)	1625	1875	2125	2375	2625	2185	2345	2505
	4.3	Free lift height	h ₂ (mm)						1776	1776	2010
	4.4	Lift height	h ₃ (mm)	2000	2500	3000	3500	4000	4500	5000	5500
	4.5	Height, mast extended	h ₄ (mm)	2897	3397	3897	4397	4897	5397	5897	6397
	4.2	Overall length	l ₁ (mm)	2550			2574				
	4.20	Length to fork face	l ₂ (mm)	1480			1504				
	4.21	Overall width of truck body	b ₁ l ₂ (mm)	1220/950						1300/950	
	4.2	Fork dimension	s/e/l(mm)	40 x 100 x 1050							
	4.3	Reach distance	l ₄ (mm)	500							
	4.3	Wheelbase ground distance	m ₂ (mm)	50							
	4.3	Aisle width for pallets 1000x1200 crossways	A _s (mm)	2928			2950				
	4.3	Aisle width for pallets 800x1200 lengthways	A _s (mm)	2996			3019				
	4.4	Turning radius	W ₃ (mm)	1779			1799				
	Performance Data	5.1	Travel speed, laden/unladen	Km/h	4.8/5					4.8/5	
5.2		Lift speed, laden/unladen	m/s	0.095/0.12							
5.3		Loweringspeedladen/unladen	m/s	0.2/0.15							

	5.8	Max.gradeability,laden/unladen	%	5/12
	5.10	Traveling brake		Electromagnetic brake
Motor	6.1	Drive motor power	kW	2.2 AC
	6.2	Lift motor power	Kw/V	4.5/24
	6.4	Batteryvoltage/nominal capacity	V/Ah	24/490
	6.5	Battery weight	kg	490
		Battery dimension (LXWXH)	mm	774x332x580/776x334x580
	8.4	Noise level at operator's ear, according to DIN12053	dB(A)	75