



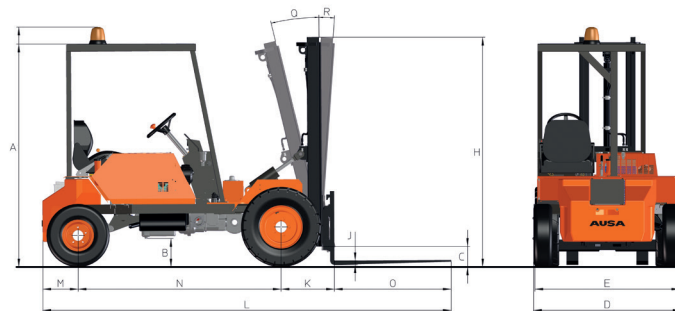
## TECHNICAL DATA

		C 11 M
		M110
<b>GENERAL</b>		
Load capacity to 500 mm	Kg	1200
Load capacity to 600 mm	Kg	1090
Unladen weight *	Kg	2160
Transmission		Mechanical
<b>MAST</b>		
Fork carriage		FEM 2
Carriage width	mm	1260
<b>ENGINE</b>		
Make		KUBOTA
Model		D902
Power	kW	12
Operating speed	rpm	2400
Torque	Nm@rpm	54,6@1900
No. cylinders		3
Emissions		NR-NA
Ambient noise	dB(A)	101
Consumption	l/h	1,8
CO <sub>2</sub>	Kg/h	4,7
<b>DRIVING</b>		
Max. speed	Km/h	20
Gradability	%	35
Traction		4x2
Front tyres		7.00-12
Rear tyres		6.00-9
<b>HYDRAULIC SYSTEM</b>		
Hydraulic circuit	l/min	31
Working pressure	bar	180
<b>TANK CAPACITY</b>		
Fuel	l	25
Hydraulic	l	15
<b>BRAKES</b>		
Service		Hydraulic, drum on front axle
Parking		Mechanical, drum on front axle

\* It may change due to optional equipment

## DIMENSIONS

TYPE OF MAST	Maximum lift (mm)	H Retracted mast height (mm)	Extended mast height (mm)	Free lift (mm)	Load at maximum height (kg) All-terrain use
Duplex mast (Std.)	2500	1890	3140	1270	920
Duplex mast	2660	1980	3310	70	1200
Triplex mast	3300	2300	3950	120	1100



DIMENSIONS (mm)	C 11 M
A	1900/2040 *
B	240
C	225
D	1280
E	1240
F	3250
G	2540
I	100
J	35
K	470
L	3515
M	315
N	1730
O	1000
P	4900
Q	13
R	5
S	1260

\* with rotating beacon



[www.ausa.com](http://www.ausa.com)

Products are subject to modifications without prior notice. Images throughout the spec sheet may refer to non-standard machines or non-available configurations depending on models.

AUSA's logo and corporate identity are property of the Company, they cannot be used without authorization.