



Forklift Range

Compact, powerful and versatile

AUSA EUROPEAN MANUFACTURER

Robustness, safety and versatility

AUSA all-terrain forklifts are exceptionally **compact, powerful and versatile**. Their reduced size and small turning radius give them excellent manoeuvrability on the toughest and steepest terrains. Add to this their exceptional capacity to move a large volume of very heavy loads and we can safely say that these are highly versatile vehicles that provide outstanding performance when moving goods.

Equipped with state-of-the-art engines, they offer professionals a product that achieves an unequalled balance between engine power and load capacity, with low fuel consumption. This makes the product outstanding value for money and also helps to reduce your carbon footprint, reaffirming AUSA's commitment to the environment.

The driver's comfort and safety are key points of the product, so special focus is placed on its stability and the load capacity on the forks.



1. Headquarters 2. Assembly plant 3. Test, demonstration and training area 4. Warehouse for completed machines

FORKLIFT RANGE



C 11 M
1200 kg

Page 04



C 150 H x2/x4
1500 kg

Page 05



C 200 H x2/x4
2000 kg

AUSA SERVICES

Our priority is the customer, which is why we provide a full range of solutions and services that undoubtedly contribute to improving your collaboration with AUSA.



FINANCING



TECHNICAL SUPPORT



MAINTENANCE



SPARE PARTS



TRAINING



WEBSITE FOR CUSTOMERS

A DISTRIBUTION NETWORK AT YOUR SERVICE

AUSA has a wide range of official distributors all over the world. Go to our website to find the one closest to you.

<http://www.ausa.com/dealers/>



C 250 H x2/x4
2500 kg

Page 06-07



C 300 H x2/x4
3000 kg



C 350 H x2/x4
3500 kg

Page 08-09



C 500 H x2/x4
5000 kg

C 11 M

All-terrain forklift 1,200 kg

Capable of lifting a maximum load of 1,200 kg, this vehicle is small in size and lightweight. This minimises ground erosion and allows it to be used in areas which, by their nature, require a lightweight product with a high load capacity.



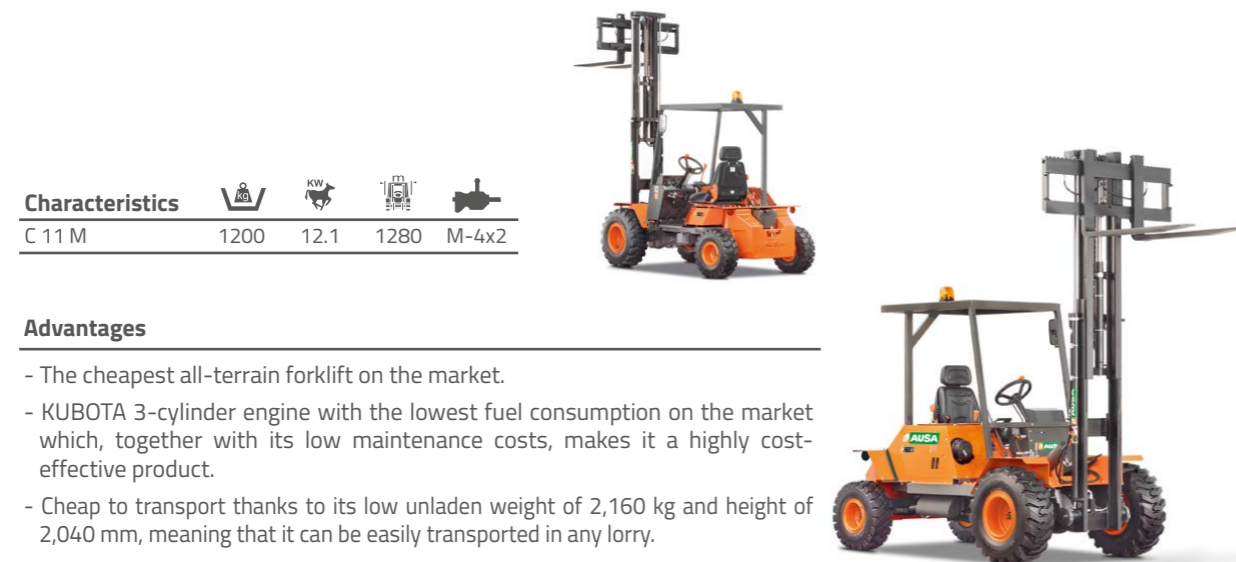
Reliable mechanics and easy maintenance thanks to the exclusive design of AUSA's four-speed mechanical transmission.

The side driving position optimises accessibility to the cab and reduces tiredness.

Its low height (2,040 mm and 1,900 without rotating beacon) means that it can access small spaces.

STANDARD EQUIPMENT: Open FOPS cab, seat belt, rear-view mirror, rotating beacon, 2,660 mm duplex mast with side shifter, 1,260 mm fork carriage, 1,000 mm forks and reversing alarm.

C 11 M



Characteristics				
C 11 M	1200	12.1	1280	M-4x2

Advantages

- The cheapest all-terrain forklift on the market.
- KUBOTA 3-cylinder engine with the lowest fuel consumption on the market which, together with its low maintenance costs, makes it a highly cost-effective product.
- Cheap to transport thanks to its low unladen weight of 2,160 kg and height of 2,040 mm, meaning that it can be easily transported in any lorry.

C 150 H

All-terrain forklift 1,500 kg

Capable of lifting a maximum load of 1,500 kg, it is the all-terrain forklift with the most compact design and the lowest maintenance costs of its class. Especially suitable for handling loads in spaces with a limited height and an uneven terrain, it is available with two types of 2-speed hydrostatic transmission: 4x2 and the exclusive COMPEN® SYSTEM permanent 4x4 traction designed by AUSA. Its high-quality components provide the best return on investment.



Tilting cab for easy access to components and to reduce downtime. Spacious and with a 360° panoramic view, it is made with an open, semi-closed and closed design, with an efficient heating system.

Slow inching pedal to ensure simple and safe driving, facilitating approach and load-handling operations.

Anti-slip step for quick and safe access.

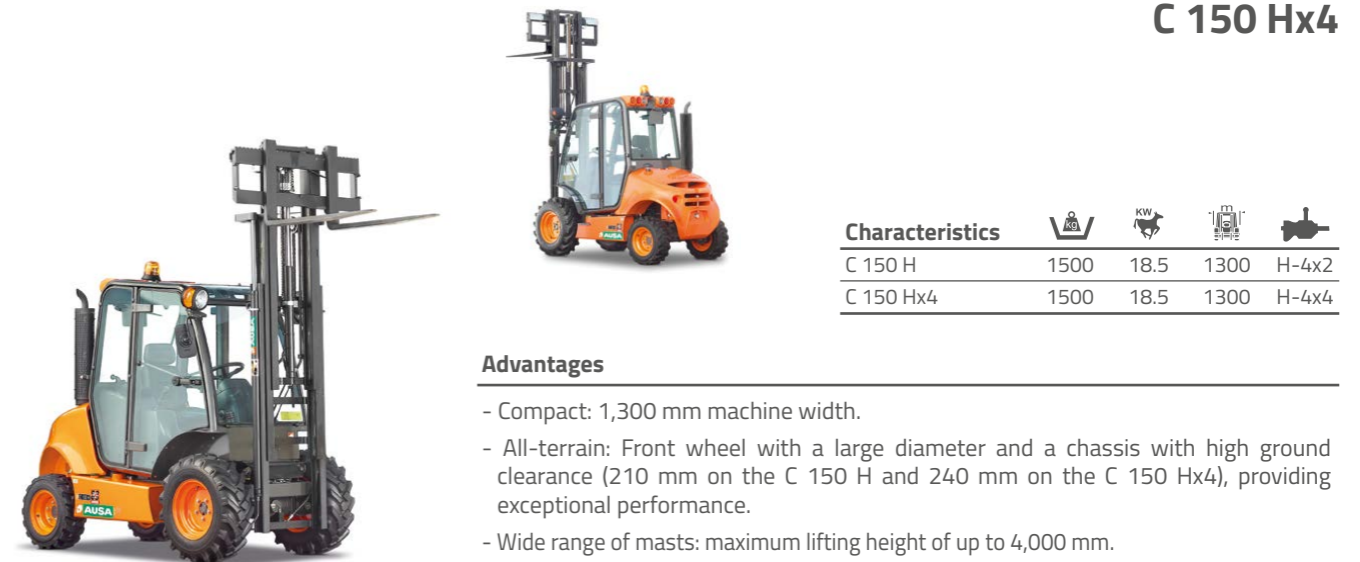
Full control joystick with built-in reverse drive and all of the hydraulic functions in one place.

Counterweight with a curved design to improve rear visibility.

STANDARD EQUIPMENT: Tilting open FOPS cab, seat belt, joystick, rear-view mirror, rotating beacon, 2,660 mm duplex mast with side shifter, 1,260 mm fork carriage, 1,000 mm forks and reversing alarm.

C 150 H

C 150 Hx4



Characteristics				
C 150 H	1500	18.5	1300	H-4x2
C 150 Hx4	1500	18.5	1300	H-4x4

Advantages

- Compact: 1,300 mm machine width.
- All-terrain: Front wheel with a large diameter and a chassis with high ground clearance (210 mm on the C 150 H and 240 mm on the C 150 Hx4), providing exceptional performance.
- Wide range of masts: maximum lifting height of up to 4,000 mm.

C 200 - 250 - 300 H

All-terrain forklift 2,000 - 2,500 - 3,000 kg

Capable of lifting maximum loads of up to 2,000, 2,500 and 3,000 kg, depending on the model, the C200H, C250H and C300H offer an outstanding balance between manoeuvrability and load capacity.

Available with two types of traction: 4x2 and the exclusive FULLGRIP® SYSTEM 4x4 electro-hydraulic traction with continuous speed control and connectable as required, designed by AUSA.

Its high-quality components provide the best return on investment.



STANDARD EQUIPMENT: Tilting open FOPS cab, limited-slip differential on the front axle (C 300 H), seat belt, joystick, rear-view mirror, rotating beacon, 3,300 mm duplex mast with side shifter, 1,260 mm fork carriage, 1,200 mm forks and reversing alarm.

C 200 H C 200 Hx4



Characteristics				
C 200 H	2000	36.5	1515	H-4x2
C 200 Hx4	2000	36.5	1515	H-4x4

Advantages

- Compact, with a width of 1,515 mm and 1,775 mm for the wide axle model used for high-lift masts.
- All-terrain: front wheel with a large diameter and a chassis with high ground clearance (220 mm on the C 200 H and 210 mm on the C 200 Hx4), providing exceptional performance.
- Wide range of masts: maximum lifting height of up to 5,400 mm.

C 250 H C 250 Hx4



Characteristics				
C 250 H	2500	36.5	1520	H-4x2
C 250 Hx4	2500	36.5	1520	H-4x4

Advantages

- Compact, with a width of 1,520 mm and 1,780 mm for the wide axle model used for high-lift masts.
- All-terrain: front wheel with a large diameter and a chassis with high ground clearance (250 mm on the C 250 H and 270 mm on the C 250 Hx4), providing exceptional performance.
- Wide range of masts: maximum lifting height of up to 5,400 mm.

C 300 H C 300 Hx4



Characteristics				
C 300 H	3000	36.5	1520	H-4x2
C 300 Hx4	3000	36.5	1520	H-4x4

Advantages

- Compact, with a width of 1,520 mm and 1,780 mm for the wide axle model used for high-lift masts.
- All-terrain: front wheel with a large diameter and a chassis with high ground clearance (270 mm on the C 300 H and 285 mm on the C 300 Hx4), providing exceptional performance.
- Wide range of masts: maximum lifting height of up to 5,400 mm.

C 350 - 500 H

All-terrain forklift 3,500 - 5,000 kg

The 3,500 and 5,000 kg load capacities make them the perfect machines for handling extremely heavy items on tough terrains.

Available with two types of traction: 4x2 and the exclusive FULLGRIP® SYSTEM 4x4 electro-hydraulic traction with continuous speed control and connectable as required, designed by AUSA.

Its high-quality components provide the best return on investment.



• **Tilting cab** for easy access to components and to reduce downtime. Spacious and with a 360° panoramic view, it is made with an open, semi-closed and closed design, with an efficient heating system.

• **Full control joystick** with built-in reverse drive and all of the hydraulic functions in one place.

• **Counterweight** with a curved design to improve rear visibility.

• **Slow inching pedal** to ensure simple and safe driving, facilitating approach and load-handling operations.

• **Anti-slip step** for quick and safe access.

STANDARD EQUIPMENT: Tilting open FOPS cab, limited-slip differential on the front axle, seat belt, joystick, rear-view mirror, rotating beacon, 3,300 mm duplex mast (C 350 H), 3,700 mm duplex mast (C 500 H) with side shifter, 1,260 mm fork carriage (C 350 H), 1,660 mm fork carriage (C 500 H), 1,200 mm forks and reversing alarm.

C 350 H C 350 H x4



Characteristics				
C 350 H	3500	36.5	1790	H-4x2
C 350 Hx4	3500	36.5	1790	H-4x4

Advantages

- Compact, with a width of 1,790 mm and 2,050 mm for the wide axle model used for high-lift masts.
- All-terrain: front wheel with a large diameter and a chassis with high ground clearance (300 mm on the C 350 H and 320 mm on the C 350 Hx4), providing exceptional performance.
- Wide range of masts: maximum lifting height of up to 5,400 mm.

C 500 H C 500 H x4



Characteristics				
C 500 H	5000	55.4/63*	1987	H-4x2
C 500 Hx4	5000	55.4/63*	1987	H-4x4

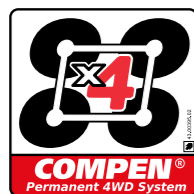
Advantages

- Compact, with a width of 1,987 mm.
- All-terrain: front wheel with a large diameter and a chassis with high ground clearance (290 mm), providing exceptional performance.
- Wide range of masts: maximum lifting height of up to 5,450 mm.

TECHNICAL DATA

		C 11 M	C 150 H	C 150 Hx4
GENERAL		UNIT		
Load capacity to 500 mm	kg	1200	1500	
Load capacity to 600 mm	kg	1090	1350	
Unladen weight	kg	2160	2700	
Transmission	-	Mechanical	2-speed hydrostatic	
MAST				
Fork carriage	-	FEM 2	FEM 2	
Carriage width	mm	1260	1260	
ENGINE				
Make	-	KUBOTA	KUBOTA	
Model	-	D902-E4B	V1505-E4B	
Power	kW	12.1	18.5	
Operating speed	rpm	2400	2300	
Torque	N·m@rpm	54,6@1900	92,6@1700	
No. cylinders	-	3	4	
Emissions	-	Stage V	Stage V - EPA Tier4	
Noise	dB(A)	101	101	
DRIVING				
Max. speed	km/h	20	20	
Gradability	%	35	25	
Traction	-	4x2	4x2	4x4 Compen®
Front tyres	-	7.00-12	10.0/75-15.3	
Rear tyres	-	6.00-9	6.00-9	23x8.5-12
HYDRAULIC SYSTEM				
Hydraulic circuit	-	Single gear pump	Two gears pump	
Flow rate	l/min	31	22	
Working pressure	bar	180	200	
TANK CAPACITY				
Fuel	l	25	45	
Hydraulic	l	15	40	
BRAKES				
Service	-	Hydraulic, drum on front axle	Hydraulic, multi-disc and sealed	
Parking	-	Mechanical, drum on front axle	Mechanical, multi-disc and sealed	

AUSA EXCLUSIVE ALL-WHEEL TRACTION SYSTEMS



AUSA Compen® System is a permanent all-wheel traction system which automatically balances the torque between the differential axles.

4X4 COMPEN®



AUSA FullGrip® System is a multi-disc all-wheel traction system, which can be connected electro-hydraulically using the joystick control on the driver's console.

4X4 FULL GRIP®

	C 200 H	C 200 Hx4	C 250 H	C 250 Hx4	C 300 H	C 300 Hx4	C 350 H	C 350 Hx4	C 500 H	C 500 Hx4	
	2000		2500		3000		3500		-		
	1835		2295		2770		3230		5000		
	4200		4400		4835		5416		7716		
Hydrostatic, with continuous speed control											
	FEM 2				FEM 3				FEM 4		
	1260/1660				1260/1660				1660		
	KUBOTA				KUBOTA				DEUTZ / KUBOTA*		
	V2403-M-E3B				V2403-M-E3B				TD3.6 / V3600T		
	36,5				36,5				55.4 / 63		
	2600				2600				2200 / 2600		
	158,6@1600				158,6@1600				330@1600 / 296@1600		
	4				4				4		
	EU Stage IIIA - EPA Int. Tier4				EU Stage IIIA - EPA Int. Tier4				Stage IIIB-Tier4 / Stage IIIA-Tier3		
	104				104				104		
	22				21				21 / 20		
	25				30				35		
	4x2	4x4 FullGrip®	4x2	4x4 FullGrip®	4x2	4x4 FullGrip®	4x2	4x4 FullGrip®	4x2	4x4 FullGrip®	
	12-16.5		12.5/80-18		12.5/80-18		16/70-20		18-19.5		
	7.00-12	27x10.5-15	7.00-12	10.0/75-15.3	27x10-12	10.0/75-15.3	27x10-12	10.0/75-15.3	8.15-15	10.0/75-15.3	
	Two gears pump				Two gears pump				Two gears pump		
	42				70				59/70		
	180		210		170		190		210		
	50				80				120		
	40				85				95		
	Hydraulic, multi-disc and sealed										
	Spring-loaded, multi-disc and sealed										

* Only available outside the US and EU markets



TILTING CAB

The tilting cab installed on AUSA forklift models allows the user to easily access the vehicle's electrical, mechanical and hydraulic components to enable adequate maintenance.

DIMENSIONS

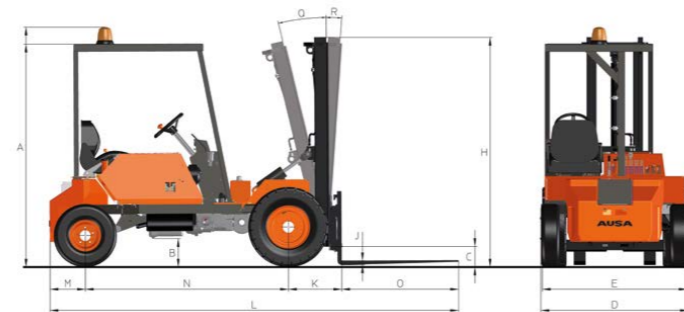
TYPE OF MAST	(mm)	H - RETRACTED MAST HEIGHT (mm)						EXTENDED MAST HEIGHT (mm)							
		C 11 M	C 150 Hx4	C 200 Hx4	C 250 Hx4	C 300 Hx4	C 350 Hx4	C 500 Hx4	C 11 M	C 150 Hx4	C 200 Hx4	C 250 Hx4	C 300 Hx4	C 350 Hx4	C 500 Hx4
Duplex mast	2500	1890	-	-	-	-	-	3140	-	-	-	-	-	-	
Duplex mast	2660	1980	2037	-	-	-	-	3310	3285	-	-	-	-	-	
Duplex mast	3300	-	-	2395	2460	2600	2670	-	-	4150	4215	4500	4570	-	
Duplex mast	3700	-	-	-	-	-	2750	-	-	-	-	-	-	4585	
Triplex mast	3700	-	-	2045	2120	2090	2130	-	-	4590	4665	4900	4970	-	
Triplex mast	4000	-	1975	-	-	-	-	-	4670	-	-	-	-	-	
Triplex mast	4250	-	-	-	-	-	2350	-	-	-	-	-	-	5260	
Triplex mast	4300	-	-	2230	2300	-	-	-	5230	5300	-	-	-	-	
Triplex mast	5450	-	-	2610	2685	2660	2700	2750	-	-	6295	6370	6600	6670	6460

Standard masts in bold

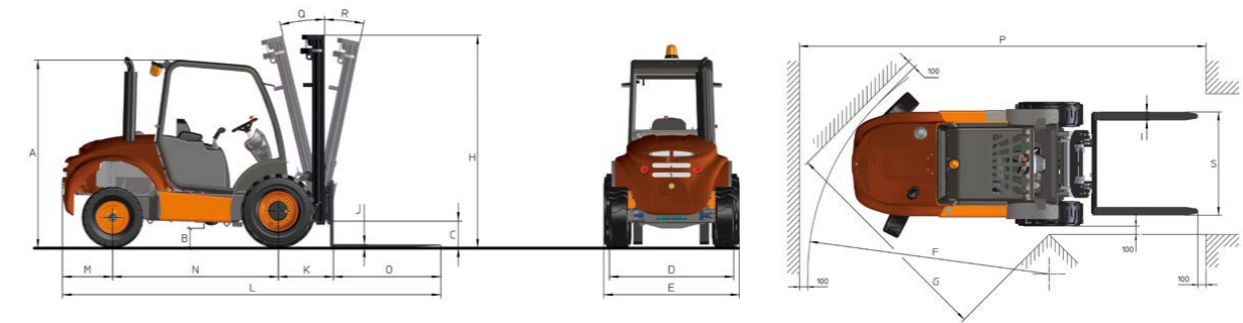
FREE LIFT (mm)	LOAD AT MAXIMUM HEIGHT (kg) ALL-TERRAIN USE																
	C 11 M	C 150 Hx4	C 200 Hx4	C 250 Hx4	C 300 Hx4	C 350 Hx4	C 500 Hx4	C 11 M	C 150 Hx4	C 200 Hx4	C 250 Hx4	C 300 Hx4	C 350 Hx4	C 500 Hx4			
1270	-	-	-	-	-	-	-	920	-	-	-	-	-	-			
70	0	-	-	-	-	-	-	1200	1500	-	-	-	-	-			
-	-	120	120	120	120	-	-	-	2000	-	2500	-	3000	3000	3500	3500	
-	-	-	-	-	-	100	-	-	-	-	-	-	-	-	-	5000	
-	-	1130	1130	1200	1200	-	-	-	1800	-	2200	-	2400	3000	3200	3500	
-	1360	-	-	-	-	-	-	1200	-	-	-	-	-	-	-	-	
-	-	-	-	-	-	1393	-	-	-	-	-	-	-	-	-	5000	
-	-	1330	1330	-	-	-	-	-	1180	1800	-	2100	-	-	-	-	
-	-	1680	1680	1680	1680	1793	-	-	-	1100	-	1100	-	1500	-	1600	1500

Machines with wide axles for high-lift masts

C 11 M



C 150 - 200 - 250 - 300 - 350 - 500 H



	C 11 M	C 150 H	C 150 H x4	C 200 H	C 200 Hx4	C 250 H
DIMENSIONS (mm)						
A	1900/2040*	2000	2040	2140	2130	2140
B	240	210	240	220	210	250
C	225	215	205	300	285	370
D	1280	1227	1247	1383	1465	1383
E	1240	1300	1300	1515	1515	1520
E**	-	-	-	1775	1775	1780
F	3250	2570	4000	2950	3970	2950
G	2540	2420	2500	2710	2770	2755
I	100	100	100	100	100	130
J	35	35	35	40	40	45
K	470	510	510	639	625	625
L	3515	3630	3630	4253	4236	4250
M	315	425	390	561	561	575
N	1730	1710	1740	1850	1850	1850
O	1000	1000	1000	1200	1200	1200
P	4900	4280	5710	4989	5995	4975
Q	13	11	11	12	12	12
R	5	12	12	12	12	12
S	1260	1260	1260	1200	1200	1200
S***	-	-	-	1600	1600	1600

* Without rotating beacon / with rotating beacon ** Measured with high-lift mast installed *** Measured for wide axle carriage

	C 250 H x4	C 300 H	C 300 H x4	C 350 H	C 350 H x4	C 500 H	C 500 H x4
	2175	2160	2200	2220	2250	2330	2330
	270	270	285	300	320	270	270
	355	305	295	375	360	290	290
	1547	1448	1547	1448	1547	1630	1682
	1520	1520	1520	1790	1790	1987	1987
	1780	1780	1780	2050	2050	-	-
	3970	3500	4300	3500	4350	3280	4450
	2785	2855	2855	2945	2985	3065	3170
	130	120	120	120	120	120	120
	45	50	50	50	50	50	50
	645	710	700	725	710	720	720
	4265	4552	4535	4585	4560	4620	4620
	570	622	615	640	630	710	650
	1850	2020	2020	2020	2020	1990	2050
	1200	1200	1200	1200	1200	1200	1200
	6015	5610	6400	5625	6460	5400	6570
	12	14	14	14	14	10	10
	12	11	11	11	11	10	10
	1200	1260	1260	1260	1260	-	-
	1600	1660	1660	1660	1660	1660	1660

EQUIPMENT

	C 11 M	C 150 H C 150 H x4	C 200 H C 200 H x4	C 250 H C 250 H x4	C 300 H C 300 H x4	C 350 H C 350 H x4	C 500 H C 500 H x4
FRAME OF THE DRIVER'S CAB							
Open FOPS cab	●	●	●	●	●	●	●
Semi-enclosed cab with front and rear windscreens and top window		○	○	○	○	○	○
Enclosed cab with heating		○	○	○	○	○	○
Open ROPS FOPS cab							○
Semi-enclosed ROPS FOPS cab							○
Enclosed ROPS FOPS cab							○
Tilting cab		●	●	●	●	●	●
SAFETY							
Seat belt	●	●	●	●	●	●	●
Rotating beacon	●	●	●	●	●	●	●
Acoustic warning for reverse gear	●	●	●	●	●	●	●
Emergency stop		○	○	○	○	○	○
Exhaust spark arrestor		○	○	○	○	○	○
LIGHTING AND DRIVING							
Certified light system	○	○	○	○	○	○	○
Front and rear work lights	○	○	○	○	○	○	○
Rear-view mirror	●	●	●	●	●	●	●
COMFORT							
Adjustable ergonomic seat	●	●	●	●	●	●	●
Highly comfortable seat, fully adjustable		○	○	○	○	○	○
All-in-one-hand joystick		●	●	●	●	●	●
Air conditioning			○	○	○	○	○
ADVANCED EQUIPMENT							
Hydrostatic transmission		●	●	●	●	●	●
Limited-slip differential on the front axle					●	●	●
Slow approach peda		●	●	●	●	●	●
ACCESSORIES							
Radio CD/MP3 system			○	○	○	○	○
Sealed case for holding manuals		○	○	○	○	○	○
Two-speed reverse		○					
Load absorber		○	○	○			
Air filter with cyclone pre-filter		○	○	○	○	○	○
Water separator diesel filter		○	○	○	○	○	○
Auxiliary hydraulic inlet for dual control implement		○	○	○	○	○	○
Biodegradable hydraulic oil	○	○	○	○	○	○	○
MASTS							
2500 mm duplex mast	○						
2660 mm duplex mast	●	●					
3300 mm duplex mast			●	●	●	●	
3700 mm duplex mast							●
3700 mm triplex mast			○	○	○	○	
4000 mm triplex mast		○					
4250 mm triplex mast							○
4300 mm triplex mast			○	○			
5400 mm triplex mast			○	○	○	○	
5450 mm triplex mast m triplex mast							○

FORKS

	C 11 M	C 150 H C 150 H x4	C 200 H C 200 H x4	C 250 H C 250 H x4	C 300 H C 300 H x4	C 350 H C 350 H x4	C 500 H C 500 H x4
1000 mm forks	●	●					
1200 mm forks	○	○	●	●	●	●	●
1260 mm fork carriage	●	●	●	●	●	●	
1660 mm fork carriage							●
Side shifter	●	●	●	●	●	●	●
1250 mm load guard	○						
1260 mm load guard		○	○	○	○	○	
1600 mm load guard			○	○	○	○	○

IMPLEMENTS

	C 11 M	C 150 H C 150 H x4	C 200 H C 200 H x4	C 250 H C 250 H x4	C 300 H C 300 H x4	C 350 H C 350 H x4	C 500 H C 500 H x4
400-litre hydraulic shovel	○		○	○			
420-litre hydraulic shovel		○					
600-litre hydraulic shovel			○	○	○		
800-litre hydraulic shovel					○	○	
1000-litre hydraulic shovel						○	○
1500-litre hydraulic shovel							○

SPARE PARTS

	C 11 M	C 150 H C 150 H x4	C 200 H C 200 H x4	C 250 H C 250 H x4	C 300 H C 300 H x4	C 350 H C 350 H x4	C 500 H C 500 H x4
Standard front and rear spare wheels	○	○	○	○	○	○	○
Maintenance kit	○	○	○	○	○	○	○

TYRES

	C 11 M	C 150 H C 150 H x4	C 200 H C 200 H x4	C 250 H C 250 H x4	C 300 H C 300 H x4	C 350 H C 350 H x4	C 500 H C 500 H x4
All-terrain front tyres 27x10-12	○						
All-terrain rear tyres 21x8-9	○						

● Standard ○ Optional



LOAD GUARD



FRONT AND REAR WORK LIGHTS



CERTIFIED LIGHT SYSTEM



ADJUSTABLE SEAT



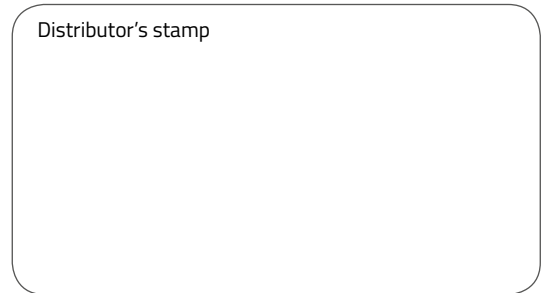
MKCAT.FK.EN02

AUSA
C/ Castelladral 1
08243 Manresa - Barcelona
SPAIN
Tel. +34 93 874 7311
ausa@ausa.com
www.ausa.com

AUSA Spain: +34 91 669 00 06 ausa.madrid@ausa.com
 AUSA France: +33 (0) 4 68 54 38 97 - ausa.france@ausa.fr
 AUSA U.K.: +44 (0)7703 60 9009 - ausa.uk@ausa.com
 AUSA Central Europe: +49 2384 9415725 - info@ausa.de
 AUSA U.S.: +1 (310) 426 2305 - ausa.us@ausa.com
 AUSA CHINA: +86 10 8598 7386 - ausa.china@ausa.com



Distributor's stamp



www.ausa.com