

The data given in this brochure are provided for information purposes and are subject to change without prior notice



5.24



Maximum lifting height: 23,90 m
Maximum reach: 19,10 m
Electronically controlled hydrostatic transmission
Automatic levelling device
Pivoting stabilizers

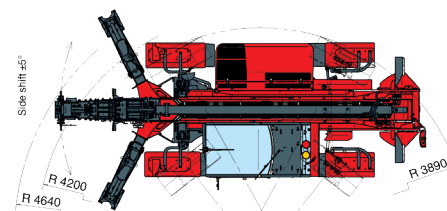
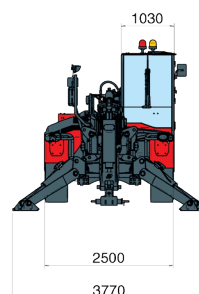
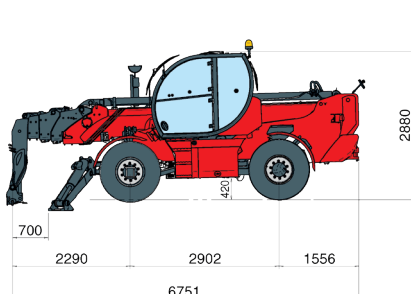
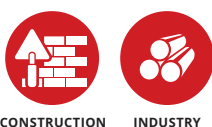
TH 5.24

MACHINE MODEL	Telescopic handler	TH 5.24	
	Maximum lifting capacity	4.999 kg (center of gravity 500 mm)	
	Maximum lifting height	23,9 m	
ENGINE	Type	Deutz TCD 3.6 L4 - stage IV	Deutz TCD 3.6 L4 EDG - stage IIIA compliant
	Rated power	100 kW - 134 HP @ 2,200 rpm	100 kW - 134 HP @ 2,200 rpm
	Maximum torque	500 Nm @ 1,600 rpm	500 Nm @ 1,600 rpm
	Displacement	3.6 l	3.6 l
	Cylinders	4 in line	4 in line
	Fuel	Diesel direct injection turbocharged	Diesel direct injection turbocharged
	Cooling system	Water - intercooler	Water - intercooler
TRANSMISSION	Type	Hydrostatic	
	Model	Bosch - Rexroth	
	Maximum pressure	500 bar	
	Displacements	Variable displacement pump electronically controlled. Variable displacement motor	
	Gear box	2 speeds forward-reverse	
AXLES AND BRAKES	Type	Axles with epicyclic reduction gear	
	Rear axle	Oscillating and steering with hydraulic locking	
	Front axle	Steering - tilting - shifting	
	Service brake	Hydraulically activated, oil-immersed multi-disc type on each axle	
	Parking brake	Hydraulic with negative action	
	Tyres dimensions	445/65 R22,5	
PERFORMANCE	Max. travel speed	40 km/h	
	Drawbar pull	66 kN	
	Gradeability	44%	
	Turning radius (end of forks)	3.900 mm	
WEIGHTS	Total unladen	15.500 kg	
	Front axle unladen (boom retracted and lowered)	6.850 kg	
	Rear axle unladen (boom retracted and lowered)	8.650 kg	
TANK AND SYSTEM CAPACITIES	Fuel tank	150 l	150 l
	AdBlue	10 l	N/D
	Hydraulic oil tank	140 l	140 l
	Engine oil tank	9 l	9 l
	Cooling liquid	23 l	23 l
HYDRAULIC CIRCUIT FOR MOVEMENTS	Max. operating system pressure	350 bar	
	Circuit type	Load sensing	
	Service pump	Bosch Rexroth - Variable displacement	
	Controls for boom and turret movements	Danfoss - Electroproportional valve SIL 2	
	Controls for stabilizers	Bosch Rexroth - Electro-hydraulics controls	
	Movements control	1 joystick Danfoss with FNR switch and dead man safety device - Management with CAN bus technology	
STANDARDS MET	EN 13849: concerning the safety of all machine controls EN 13000: concerning standards for hydraulic cranes EN 280: concerning standards for mobile elevating work platforms FOPS/ROPS EU 2016/1628: concerning engine emissions standards EN 1459-1: concerning standards for variable-reach trucks		

The data given in this brochure are provided for information purposes and are subject to change without prior notice

19C0042 - EN

MAIN SECTORS

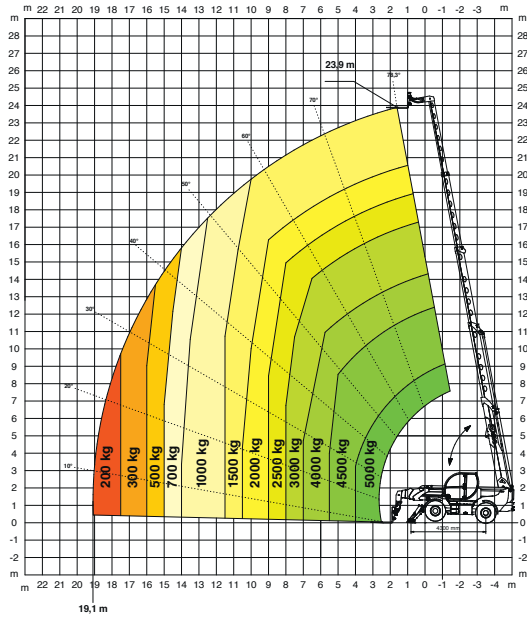


Magni Telescopic Handlers srl

Via Magellano, 22 - 41013 Castelfranco Emilia, Modena, Italia - Tel: +39 059 8630811 - Fax: +39 059 8638012
 commerciale@magnith.com - www.magnith.com

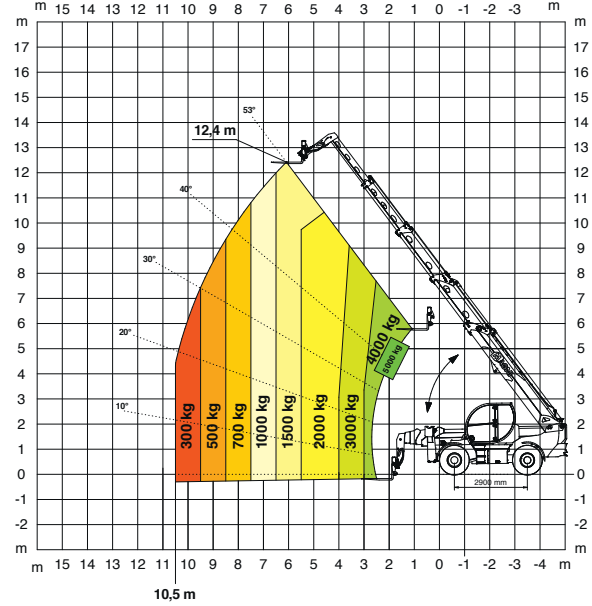
LOAD CHART
ON FULLY EXTENDED STABILISERS

ON STABILISERS



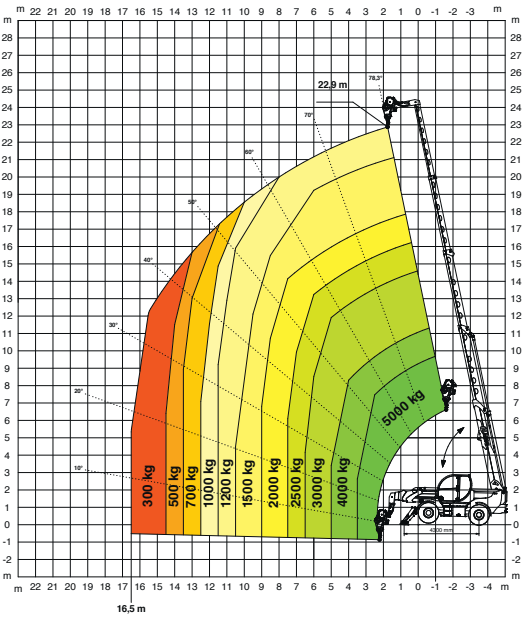
FRONT LOAD CHART ON TYRES

ON TYRES



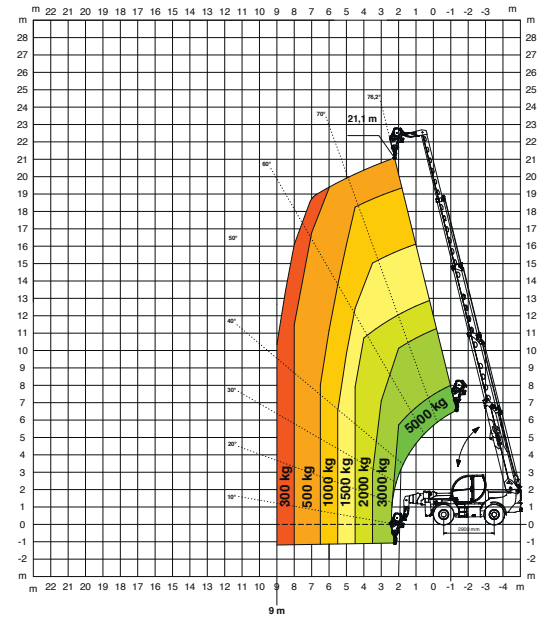
WINCH **5,000 kg** ON STABILISERS

W 5



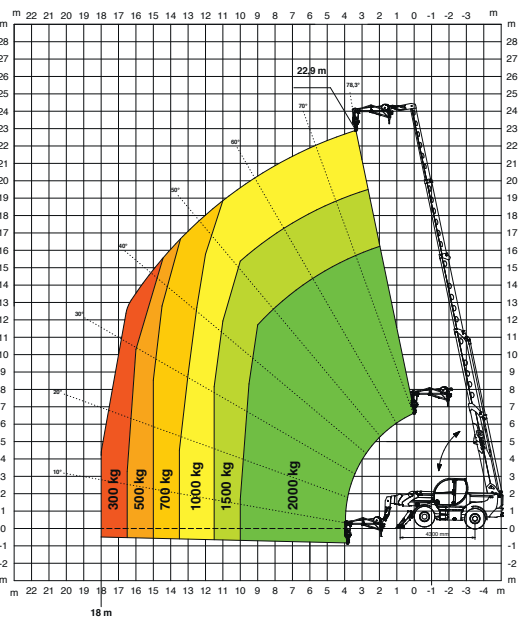
WINCH **5,000 kg** ON TYRES

W 5



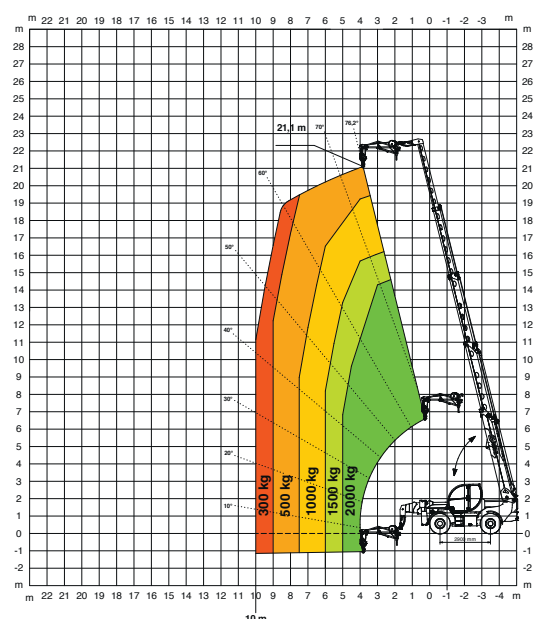
JIB WINCH **2,000 kg** ON STABILISERS

JW 2000



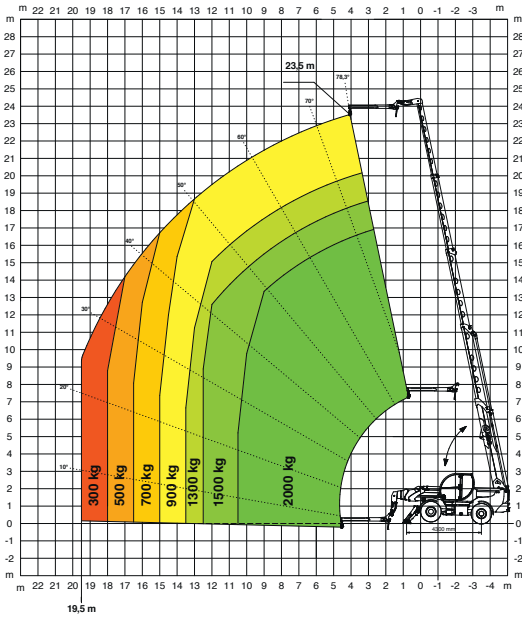
JIB WINCH **2,000 kg** ON TYRES

JW 2000



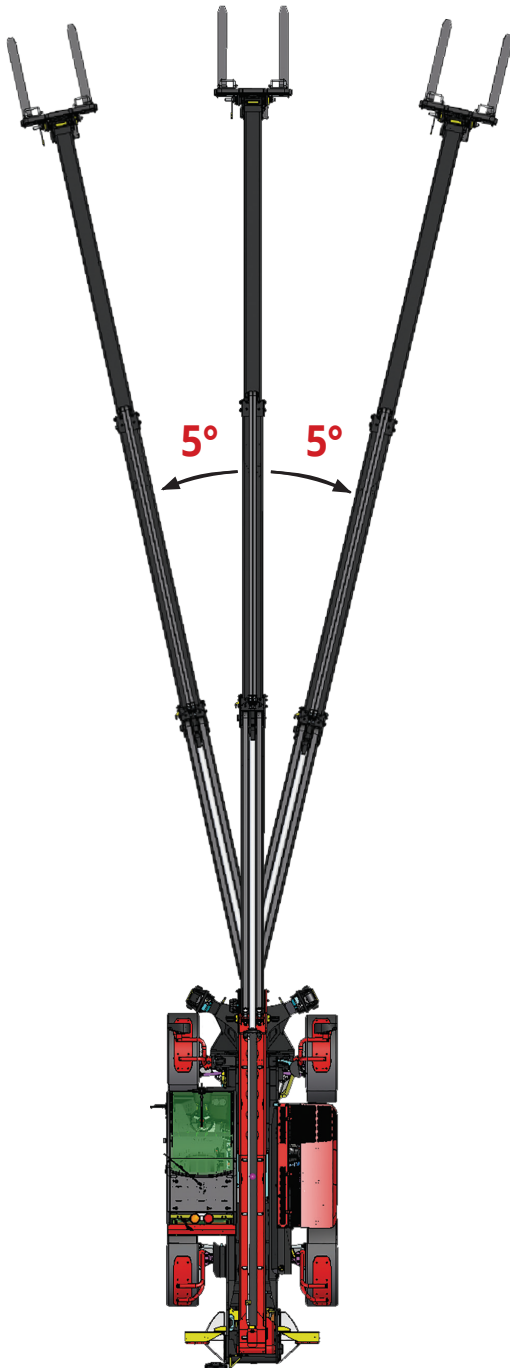
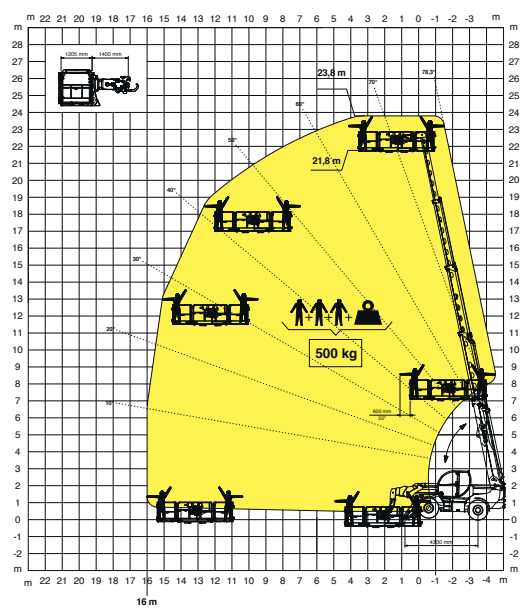
J 2000

JIB 2,000 kg



REP 2-4,5

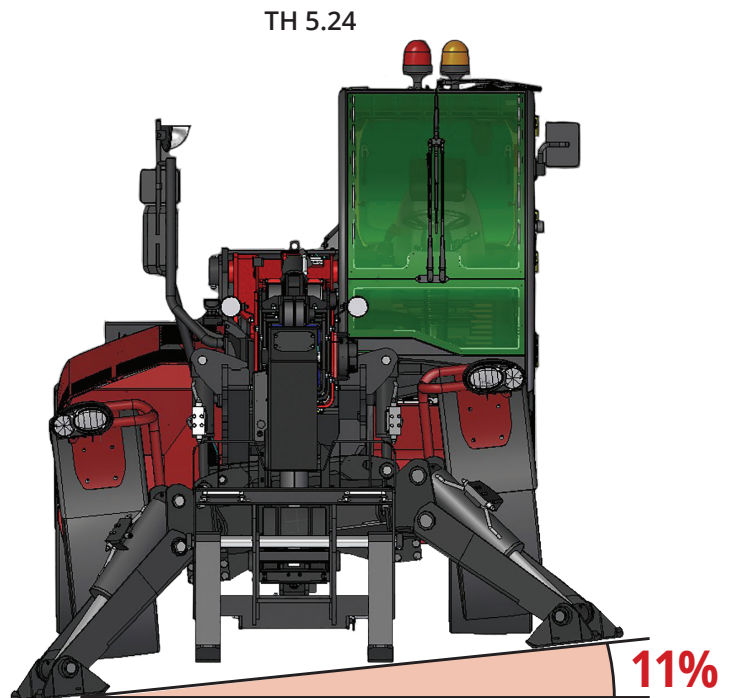
ROTATING EXTENDABLE BASKET 500 kg



LATERAL SHIFTING SYSTEM

This telehandler is equipped with a lateral shifting system that permits to move sideways the rear part of the chassis and, with it, the telescopic boom relative to the longitudinal axis of the machine to correct the load position without the need to move the machine.

This system, in fact, allow a shifting of $\pm 5^\circ$ that corresponds to a shift of $\pm 1,5$ m with the boom completely extended, independently from which attachment is equipped.



Leveling works both on wheels and on stabilizers as the front axle is coupled with the stabilizers