

# Hammer®

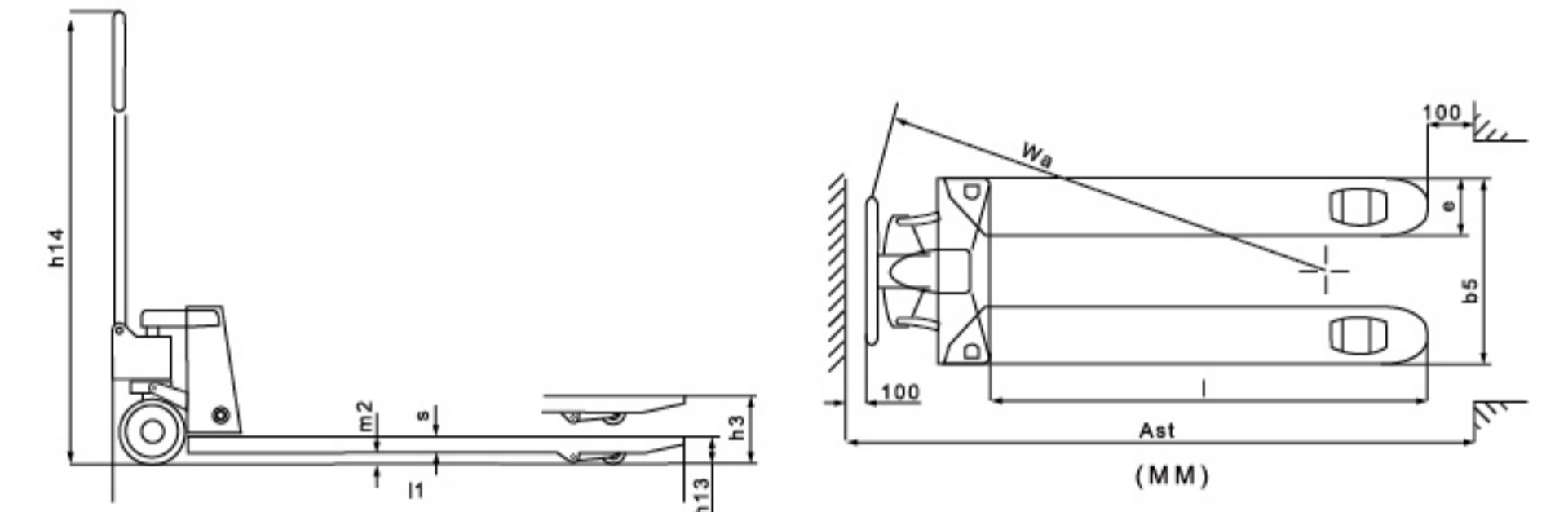
Hydraulic Pallet Jack Series

## INNOVATIVE DESIGN

>Reduce maintenance cost >Improve working efficiency >Increase truck service life

- High reliability, suitable for a variety of environments. It can be used for 3~5 years under normal maintenance.
- The first design of forging & casting integral pump, which prevents any loosening and leakage.
- High-strength alloy steel carefully rafted, increased loading capacity.
- Set the active safety valve to prevent overloading of operation.
- 54mm fork thickness ensures high capacity.

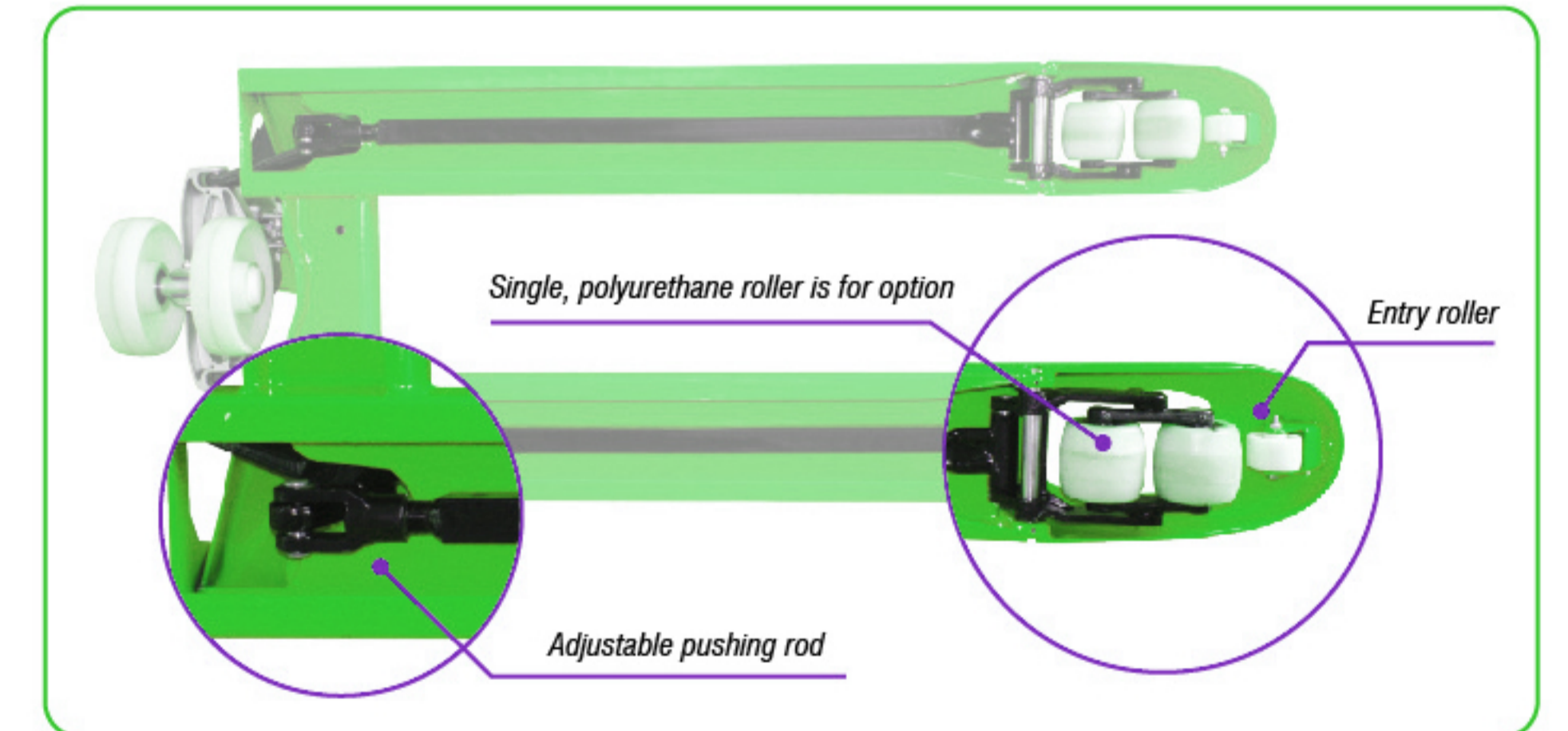
| Model                      | MANUAL PALLET JACK |               |               |               |
|----------------------------|--------------------|---------------|---------------|---------------|
| Load capacity/rated load   | Q(kg)              | 2500          | 3000          | 3500          |
| Load centre distance       | c(mm)              | 500           | 500           | 500           |
| Steering wheel             | mm                 | Φ180*50       | Φ180*50       | Φ180*50       |
| Fork wheel single          | mm                 | Φ80*93/Φ74*93 | Φ80*93/Φ74*93 | Φ80*93/Φ74*93 |
| Fork wheel tandem          | mm                 | Φ80*70/Φ74*70 | Φ80*70/Φ74*70 | Φ80*70/Φ74*70 |
| Lifting height             | $h_3$ (mm)         | 200/190       | 200/190       | 200/190       |
| Lowered height             | $h_{13}$ (mm)      | 85/75         | 85/75         | 85/75         |
| Overall length             | $l_1$ (mm)         | 1534/1604     | 1534/1604     | 1534/1604     |
| Fork dimensions            | s/e/l              | 54/160/1150   | 54/160/1150   | 54/160/1150   |
| Distance between fork-arms | $b_5$ (mm)         | 520/550/685   | 520/550/685   | 520/550/685   |
| Turning radius             | $W_a$ (mm)         | 1249/1319     | 1249/1319     | 1249/1319     |



type 2 pump



Pump Option



Optimized round fork tips ensures easy operation;  
54mm fork thickness ensures high capacity;  
Curve design on the fork tips help pallets entry in/out.

